



Brinx®

18-3/4" top-mount single-bowl bar sink
K-3674

Features

- 21" (533 mm) minimum base cabinet width
- Single bowl
- 6" (152 mm) depth
- Small size fits compact spaces

Material

- Handcrafted from 14-gauge stainless steel
- Premium 14-gauge stainless steel

Installation

- Top-mount

Recommended Products/Accessories

- K-8801 Sink drain and strainer with tailpiece
- K-8799 Sink drain and strainer basket
- K-23726 Drain treatment
- K-23729 Stainless steel cleaner

Optional Products/Accessories

- K-11352 Disposal Flange with Stopper



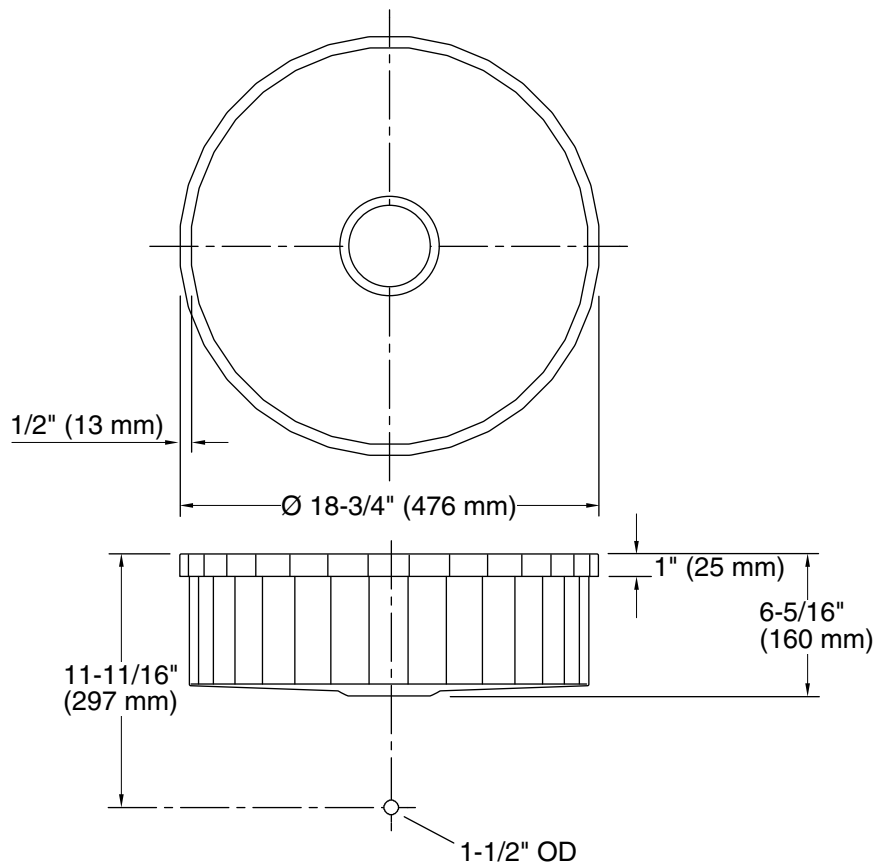
ADA

Codes/Standards

ASME A112.19.3/CSA B45.4
ADA
ICC/ANSI A117.1

KOHLER® Stainless Steel Sinks Lifetime Limited Warranty

See website for detailed warranty information.



Technical Information

All product dimensions are nominal.

Bowl configuration: Single

Min. base cabinet width: 21" (533 mm)

Bowl area (Only): Bowl depth: 6" (152 mm)

Drain hole: 3-5/8" (92 mm)

Template: 1220554-7, required, included

Notes

Install this product according to the installation instructions.

ADA compliant when installed to the specific requirements of these regulations.

ADA permits a parallel approach to wet bars.