

Features

- Fits minimum 30" (762 mm) apron sink base cabinet
- Single bowl
- 8-5/8" depth
- Integral apron and backsplash
- Two faucet holes
- Requires K-1814-P and service part 63002 for wall-mount installation (sold separately)

Material

- Vitreous china

Installation

- Wall-mount or top-mount apron-front

Recommended Products/Accessories

- K-1814-P Wall-Mount Sink Brackets
- 63002 Bracket, Tie Bar
- K-23726 Drain treatment

Optional Products/Accessories

- K-6002 Sink Rack
- K-8803 Manual Sink Basket Strainer
- K-8804 Sink drain body with tailpiece
- K-8813 Stainless steel sink drain and strainer with tailpiece
- K-8814 Stainless steel sink drain and strainer
- K-8807 Sink drain and strainer with tailpiece
- K-11352 Disposal Flange with Stopper
- K-9000 P-Trap



Codes/Standards

ASME A112.19.2/CSA B45.1

KOHLER® One-Year Limited Warranty

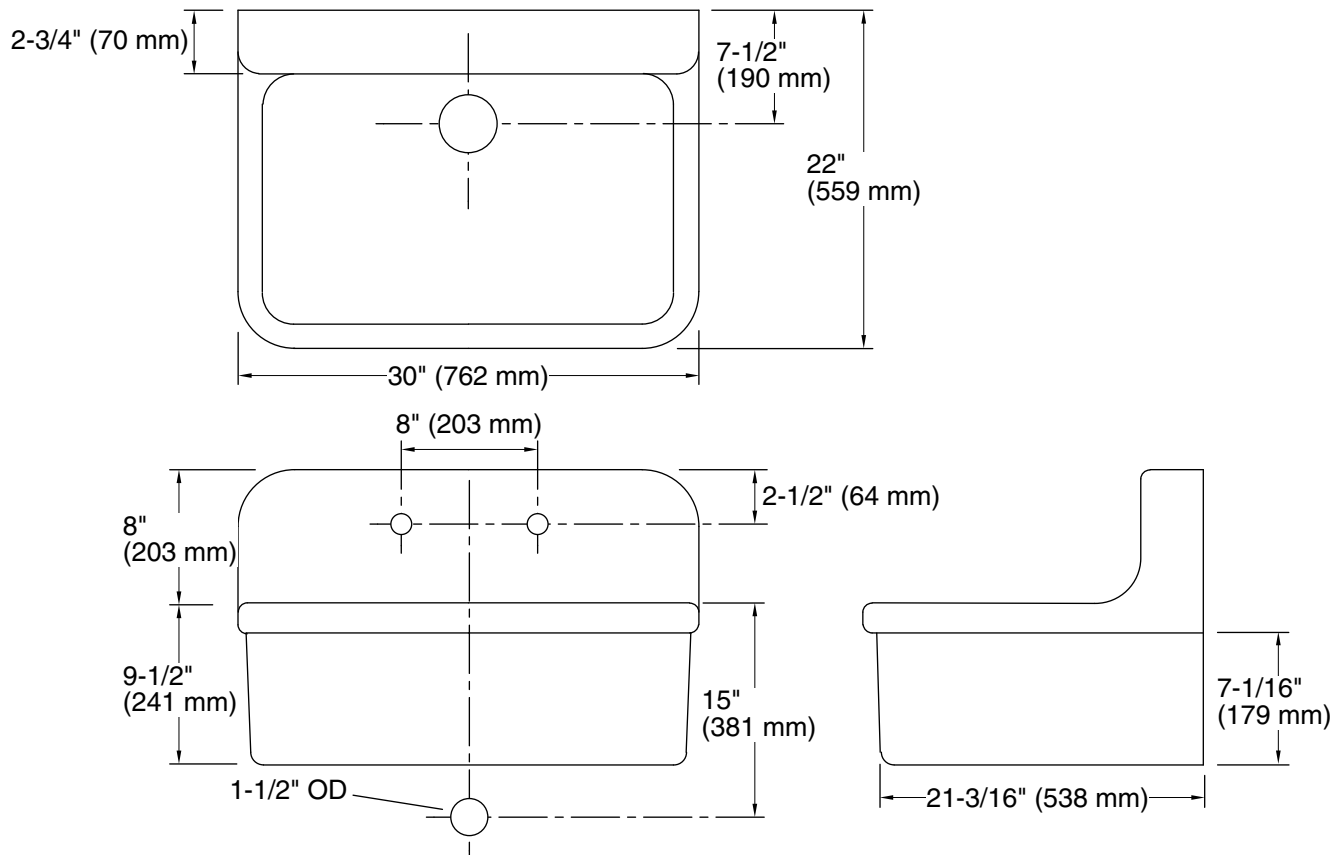
See website for detailed warranty information.

Available Colors/Finishes

Color tiles intended for reference only.

Color	Code	Description
-------	------	-------------

	0	White
---	---	-------



Technical Information

All product dimensions are nominal.

Min. base cabinet width:	30" (762 mm)
Bowl area:	Bowl depth: 8-5/8" (219 mm)
Number of deck holes:	2
Faucet hole(s):	1-3/8" (35 mm)
Drain hole:	3-5/8" (92 mm)

Notes

Install this product according to the installation instructions.