



**Staccato™**  
20" top-mount single-bowl bar sink  
**K-3363-1**

**Features**

- 22" (559 mm) minimum base cabinet width
- Single bowl
- 8" (203 mm) depth
- Single faucet hole
- Includes installation hardware

**Material**

- Premium 18-gauge stainless steel

**Installation**

- Top-mount

**Recommended Products/Accessories**

- K-8801 Sink drain and strainer with tailpiece
- K-8799 Sink drain and strainer basket
- K-23726 Drain treatment
- K-23729 Stainless steel cleaner

**Optional Products/Accessories**

- K-11352 Disposal Flange with Stopper



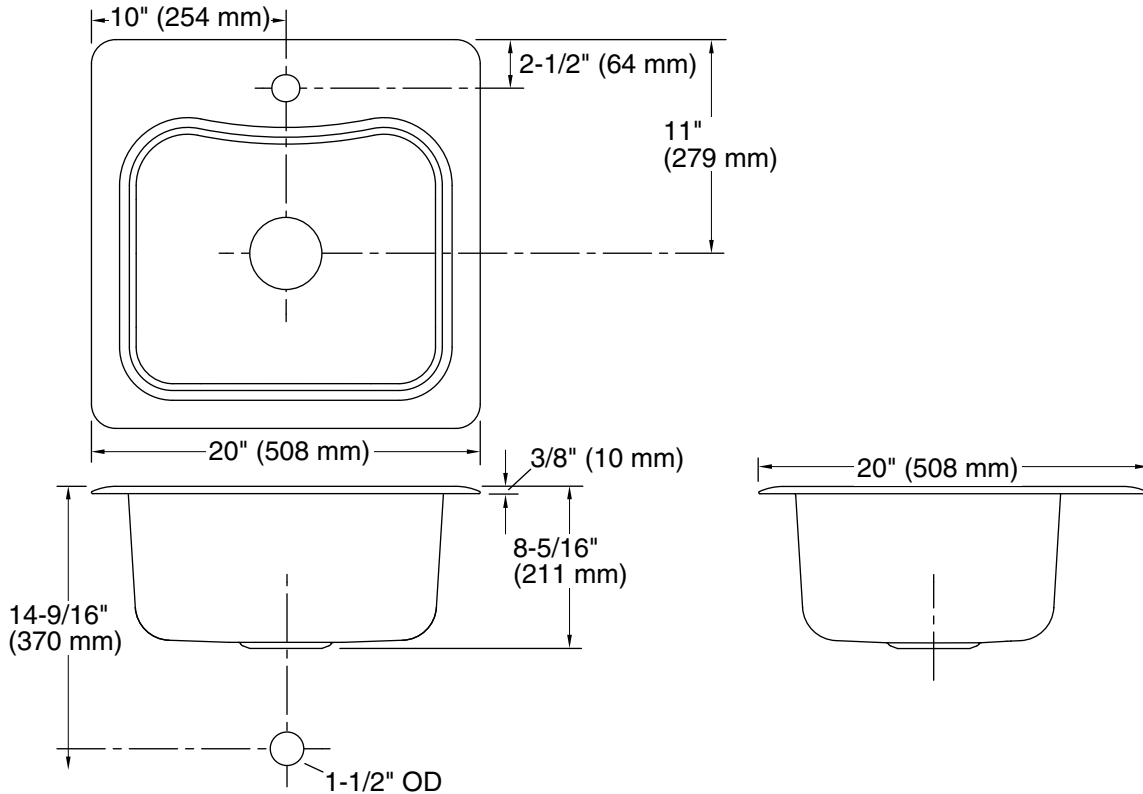
**ADA**

**Codes/Standards**

ASME A112.19.3/CSA B45.4  
ADA  
ICC/ANSI A117.1

**KOHLER® One-Year Limited  
Warranty**

See website for detailed warranty information.



## Technical Information

All product dimensions are nominal.

Bowl configuration:	Single
Cutout:	Top-mount, 19-1/2" x 1" (495 mm x 25 mm) with 19-1/2" (495 mm) radius corners
Bowl area (Only):	Length: 16-1/8" (410 mm) Width: 13-9/16" (345 mm) Bowl depth: 8" (203 mm) Water depth: 8" (203 mm)
Number of deck holes:	1
Faucet hole(s):	1-7/16" (37 mm)
Drain hole:	3-5/8" (92 mm)

## Notes

Install this product according to the installation instructions.

ADA compliant when installed to the specific requirements of these regulations.

ADA permits a parallel approach to wet bars.