



Vault™
30-1/2" top-/undermount double-bowl kitchen sink
K-80167-1

Features

- 33" minimum base cabinet width
- Double-equal bowls
- 9" (229 mm) depth provides generous workspace
- Single faucet hole
- Rear drain placement increases cabinet storage space underneath sink
- Includes installation hardware
- Includes sink drains and strainers

Material

- Handcrafted from 18-gauge stainless steel

Installation

- Top-mount or undermount

Recommended Products/Accessories

K-23992 Sink rack for K-80167 (Qty 2)

K-8801 Sink drain and strainer with tailpiece (Qty 2)

K-8799 Sink drain and strainer basket (Qty 2)

Optional Products/Accessories

K-11352 Disposal Flange with Stopper

Included Components

1177160 Hardware Kit, Self-Rimming

7400 Stainless Steel Sink Drain and Strainer

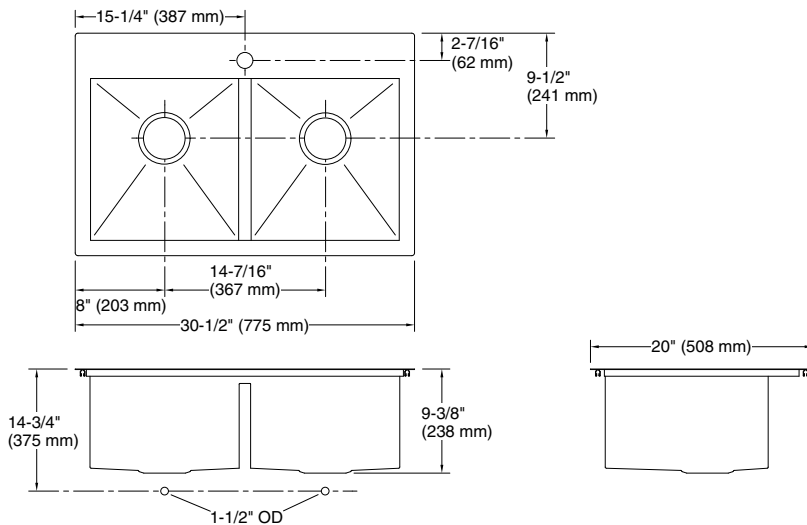


Codes/Standards

ASME A112.19.3/CSA B45.4

Lifetime Limited Warranty for KOHLER® Stainless Steel Sinks

See website for detailed warranty information.



Technical Information

All product dimensions are nominal.

Bowl configuration: Double equal

Min. base cabinet width: 33" (838 mm)

Bowl area (Left):
 Length: 13-5/16" (338 mm)
 Width: 14-9/16" (370 mm)
 Bowl depth: 9-1/16" (230 mm)
 Water depth: 9-1/16" (230 mm)

Bowl area (Right):
 Length: 13-5/16" (338 mm)
 Width: 14-9/16" (370 mm)
 Bowl depth: 9-1/16" (230 mm)
 Water depth: 9-1/16" (230 mm)

Number of deck holes: 1

Template: Top-mount/Under-mount, 1345371-7, required, included

Notes

Install this product according to the installation instructions.

NOTICE: Countertop manufacturer or cutter must use the cut-out template provided with the product, or a current one provided by Kohler Co. (call 1-800-4-KOHLER). Kohler Co. is not responsible for cutout errors when the incorrect cut-out template is used.