



Undertone® Preserve®

31-1/2" undermount double-bowl kitchen sink
K-3171-HCF

Features

- 36" minimum base cabinet width
- Double-equal bowls
- 9-1/2" (241 mm) depth provides generous workspace
- Innovative Preserve™ sink resists scratching and withstands everyday wear and tear
- Rear drain placement increases cabinet storage space underneath sink
- Includes bottom sink rack
- Includes installation hardware

Material

- Premium 18-gauge stainless steel

Installation

- Undermount

Recommended Products/Accessories

- K-6388 Sink Rack
- K-3294 Hardwood cutting board for kitchen sinks
- K-8801 Sink drain and strainer with tailpiece (Qty 2)
- K-8799 Sink drain and strainer basket
- K-23726 Drain treatment
- K-23729 Stainless steel cleaner

Optional Products/Accessories

- K-11352 Disposal Flange with Stopper



Codes/Standards

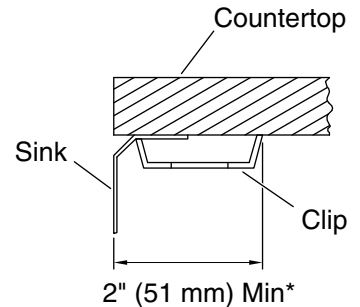
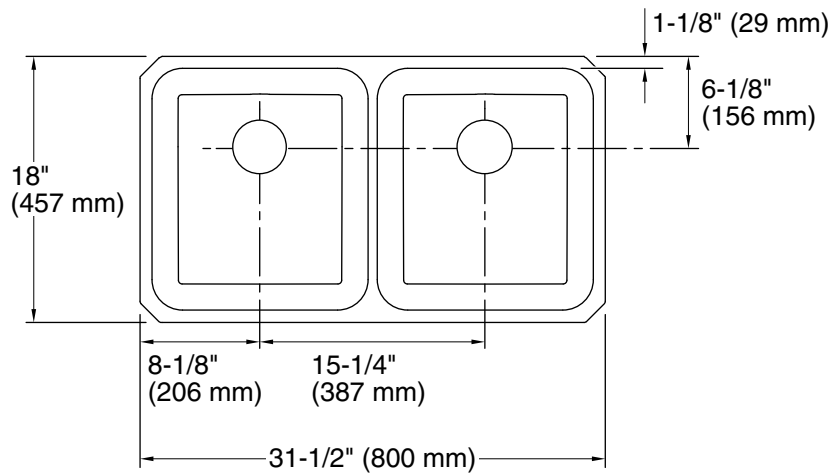
ASME A112.19.3/CSA B45.4

KOHLER® Stainless Steel Sinks Lifetime Limited Warranty

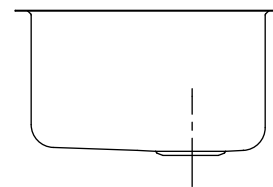
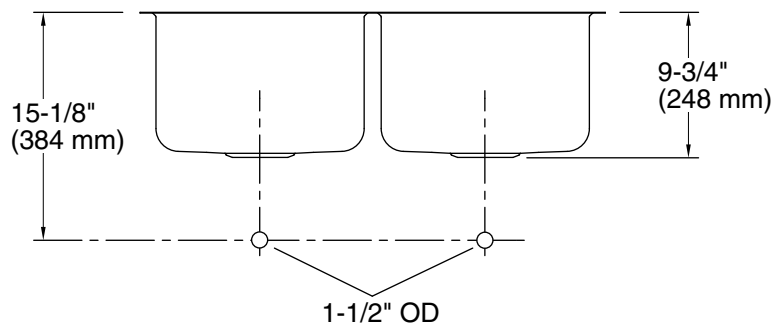
See website for detailed warranty information.

KOHLER®

Undertone® Preserve® 31-1/2" undermount double-bowl kitchen sink K-3171-HCF



* Allow clearance around sink rim for clip attachment.



Technical Information

All product dimensions are nominal.

Bowl configuration: Double equal

Min. base cabinet width: 36" (914 mm)

Bowl area (Left):
Length: 14" (356 mm)
Width: 15-3/4" (400 mm)
Bowl depth: 9-1/2" (241 mm)
Water depth: 9-1/2" (241 mm)

Bowl area (Right):
Length: 14" (356 mm)
Width: 15-3/4" (400 mm)
Bowl depth: 9-1/2" (241 mm)
Water depth: 9-1/2" (241 mm)

Drain hole: 3-3/4" (94 mm)

Template: 1221369-7, required, included

Notes

Install this product according to the installation instructions.

Allow a minimum of 2" (51 mm) clearance around the sink rim for clip attachment.

1-800-4KOHLER (1-800-456-4537)

Kohler Co. reserves the right to make revisions without notice to product specifications.

For the most current Specification Sheet, go to www.kohler.com.

11-10-2023 23:40 - US/CA

THE BOLD LOOK
OF **KOHLER**®