



**Undertone®**  
31-1/2" undermount double-bowl kitchen sink  
**K-3174**

**Features**

- 36" minimum base cabinet width
- Large/small bowls with high/low design
- 9-1/2" depth left bowl and 5-1/2" depth right bowl
- Includes installation hardware

**Material**

- Premium 18-gauge stainless steel

**Installation**

- Undermount

**Recommended Products/Accessories**

- K-3294 Hardwood cutting board for kitchen sinks
- K-8801 Sink drain and strainer with tailpiece (Qty 2)
- K-8799 Sink drain and strainer basket
- K-23726 Drain treatment
- K-23729 Stainless steel cleaner

**Optional Products/Accessories**

- K-11352 Disposal Flange with Stopper

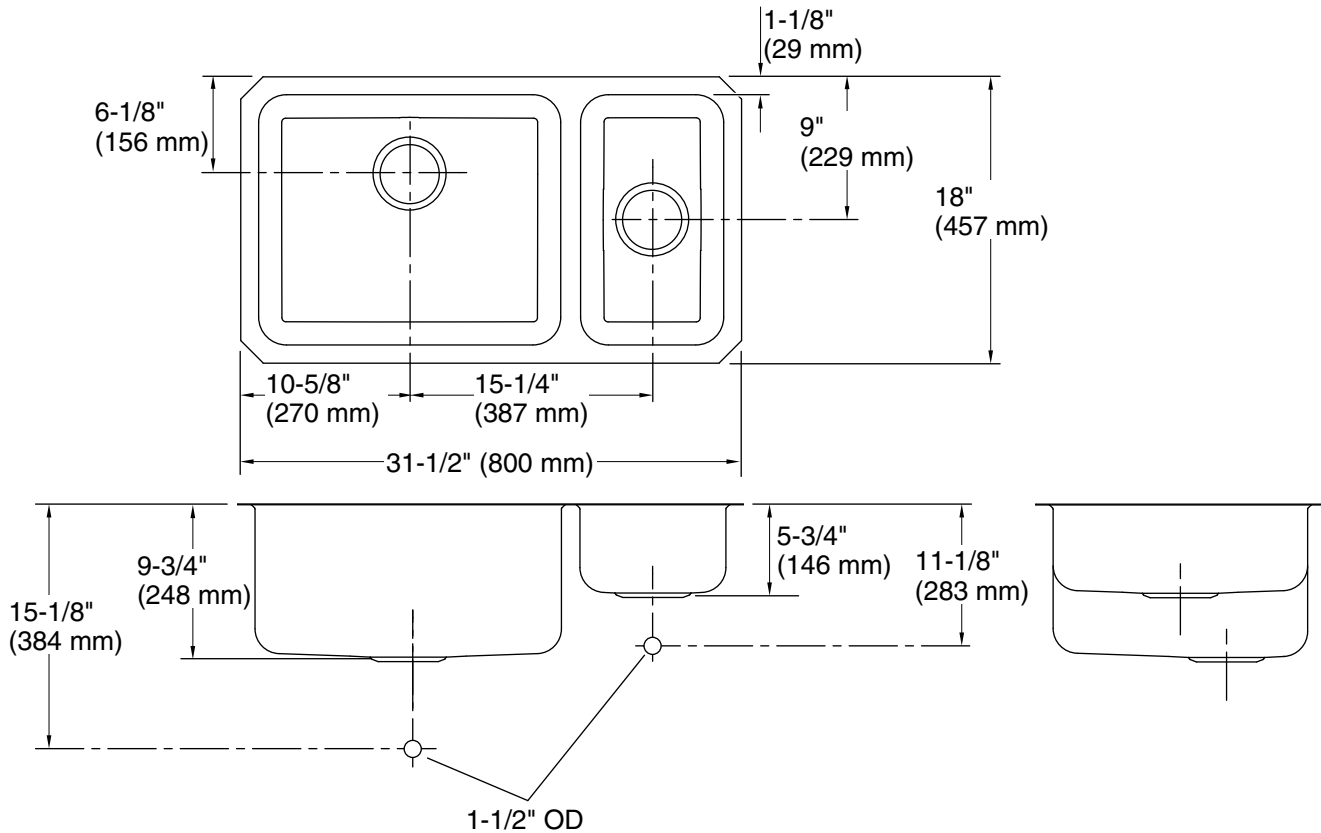


**Codes/Standards**

ASME A112.19.3/CSA B45.4

**KOHLER® Stainless Steel Sinks  
Lifetime Limited Warranty**

See website for detailed warranty information.



## Technical Information

All product dimensions are nominal.

Bowl configuration: High-low

Min. base cabinet width: 36" (914 mm)

Bowl area (Left): Length: 19" (483 mm)  
 Width: 15-3/4" (400 mm)  
 Bowl depth: 9-1/2" (241 mm)  
 Water depth: 9-1/2" (241 mm)

Bowl area (Right): Length: 9" (229 mm)  
 Width: 15-3/4" (400 mm)  
 Bowl depth: 5-1/2" (140 mm)  
 Water depth: 5-1/2" (140 mm)

Drain hole: 3-3/4" (94 mm)

Template: 1221369-7, required, included

## Notes

Install this product according to the installation instructions.