



Park Falls™

21" top-/undermount single-bowl utility sink
K-19022-3

Features

- Fits minimum 21" (533 mm) base cabinet if installed as top-mount
- Single bowl
- 12-1/2" depth provides generous workspace
- Three faucet holes
- Small size fits compact spaces

Material

- KOHLER® enameled cast iron

Installation

- Fits minimum 24" (610 mm) base cabinet if installed as undermount
- Dual-mount sink can be installed as top-mount or undermount
- Undermount installation kit not included

Recommended Products/Accessories

- K-8801 Sink drain and strainer with tailpiece
- K-8799 Sink drain and strainer basket
- K-23726 Drain treatment
- K-23725 Cast iron cleaner

Optional Products/Accessories

- K-11352 Disposal Flange with Stopper
- K-9000 P-Trap



Codes/Standards




ASME A112.19.1/CSA B45.2

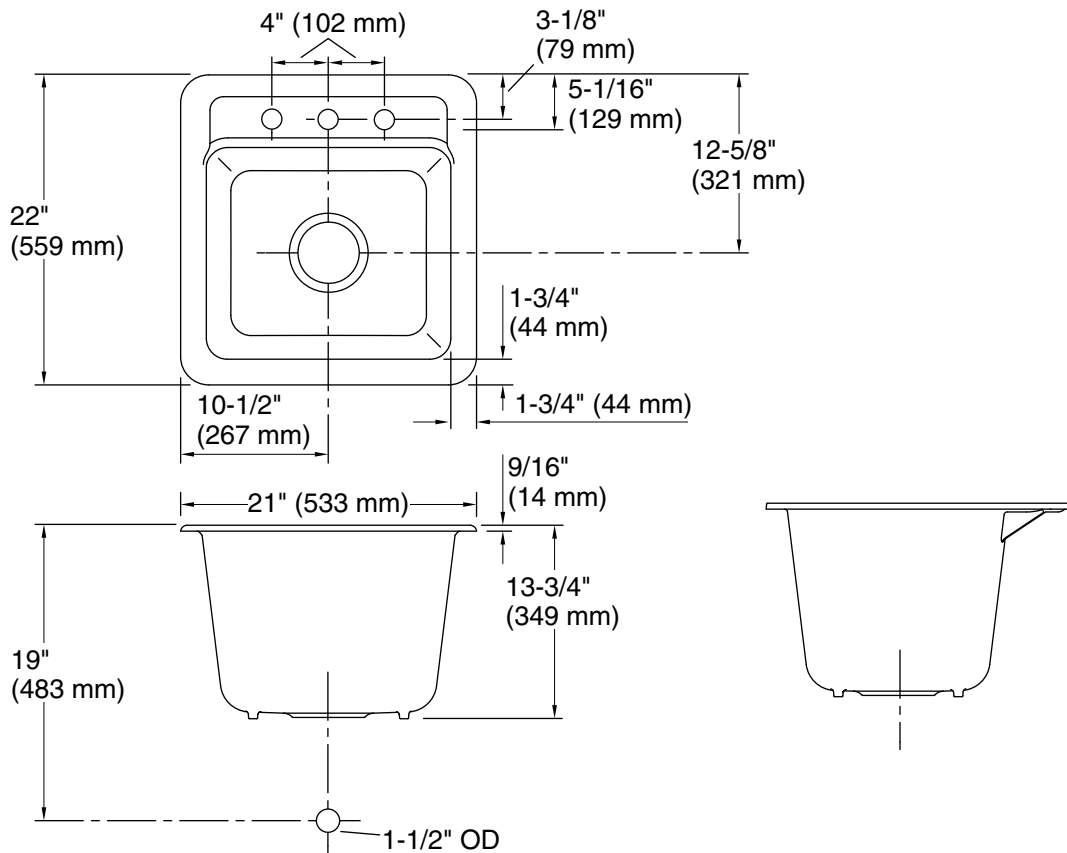
KOHLER® Enameled Cast Iron Kitchen and Bathroom Sink Lifetime Limited Warranty

See website for detailed warranty information.

Available Colors/Finishes

Color tiles intended for reference only.

Color	Code	Description
	0	White
	96	Biscuit
	7	Black Black™



Technical Information

All product dimensions are nominal.

Bowl configuration: Single

Min. base cabinet width: 24" (610 mm)

Bowl area (Only):
 Length: 17-1/2" (445 mm)
 Width: 15-3/16" (386 mm)
 Bowl depth: 12-1/2" (318 mm)
 Water depth: 12-1/2" (318 mm)

Number of deck holes: 3

Faucet hole(s): 1-3/8" (35 mm)

Drain hole: 3-7/8" (98 mm)

Template: 1079985-7, required, included

Notes

Install this product according to the installation instructions.