

#### Features

- Part of K-3159-NA
- 33" (838 mm) x 18" (457 mm)
- 9" (229 mm) depth provides generous workspace
- Double-equal bowls
- Undercounter installation
- Please order the K-3159-NA sink which includes the following: sink, cutting board and sink rack

#### Material

- Premium 16-gauge stainless steel

#### Recommended Products/Accessories

- K-3142 Sink Rack
- K-8801 Sink drain and strainer with tailpiece
- K-8799 Sink drain and strainer basket
- K-23726 Drain treatment
- K-23729 Stainless steel cleaner

#### Optional Products/Accessories

- K-3140 Cutting Board
- K-6133 Wine Glass Rack
- K-11352 Disposal Flange with Stopper

#### Included Components

- 91915 Hardware Kit

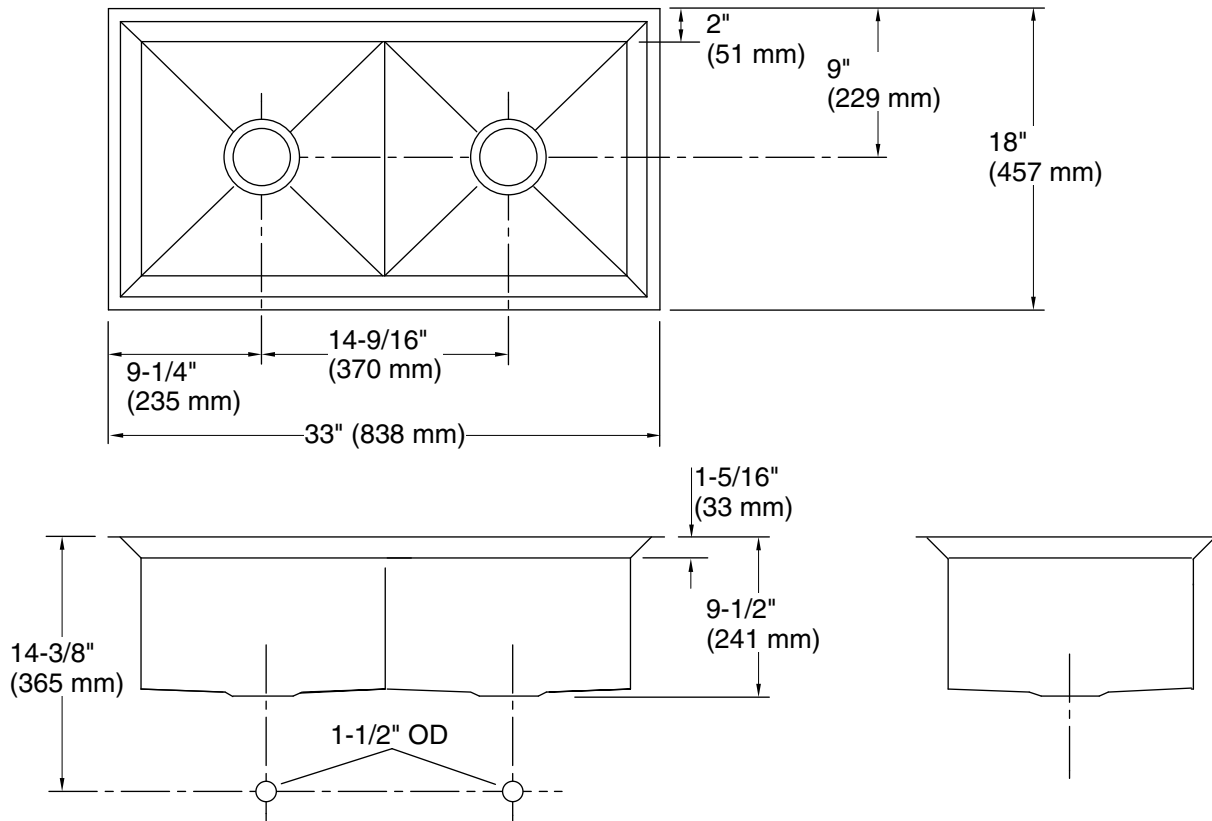


#### Codes/Standards

ASME A112.19.3/CSA B45.4

#### KOHLER® Stainless Steel Sinks Lifetime Limited Warranty

See website for detailed warranty information.



#### Technical Information

All product dimensions are nominal.

Bowl configuration: Double equal

Min. base cabinet width: 36" (914 mm)

Bowl area (Left): Length: 14-7/16" (367 mm)  
Width: 14" (356 mm)  
Bowl depth: 9-3/16" (233 mm)

Bowl area (Right): Length: 14-7/16" (367 mm)  
Width: 14" (356 mm)  
Bowl depth: 9-3/16" (233 mm)

Drain hole: 3-5/8" (92 mm)

Template: 1021992-7, required, included

#### Notes

Install this product according to the installation instructions.