



**Strive®**  
Smart Divide® 35-1/2" undermount double-bowl  
farmhouse kitchen sink  
**K-5416**

### Features

- Fits minimum 36" (914 mm) apron sink base cabinet
- Large/medium bowls
- 9" (229 mm) depth provides generous workspace
- Smart Divide® feature offers a lower bowl divider that increases workspace versatility
- Self-Trimming® apron overlaps cabinet face for easy installation and beautiful results
- Rear drain placement increases cabinet storage space underneath sink
- Includes installation hardware and cutout templates
- Includes bottom sink rack
- Rounded 10mm corners are easy to clean

### Material

- Handcrafted from 16-gauge stainless steel
- Premium 16-gauge stainless steel

### Installation

- Undermount

### Recommended Products/Accessories

- K-6477 Sink Rack
- K-8801 Sink drain and strainer with tailpiece
- K-8799 Sink drain and strainer basket
- K-23726 Drain treatment
- K-23729 Stainless steel cleaner

### Optional Products/Accessories

- K-11352 Disposal Flange with Stopper

### Included Components

- K-6476 Sink Rack

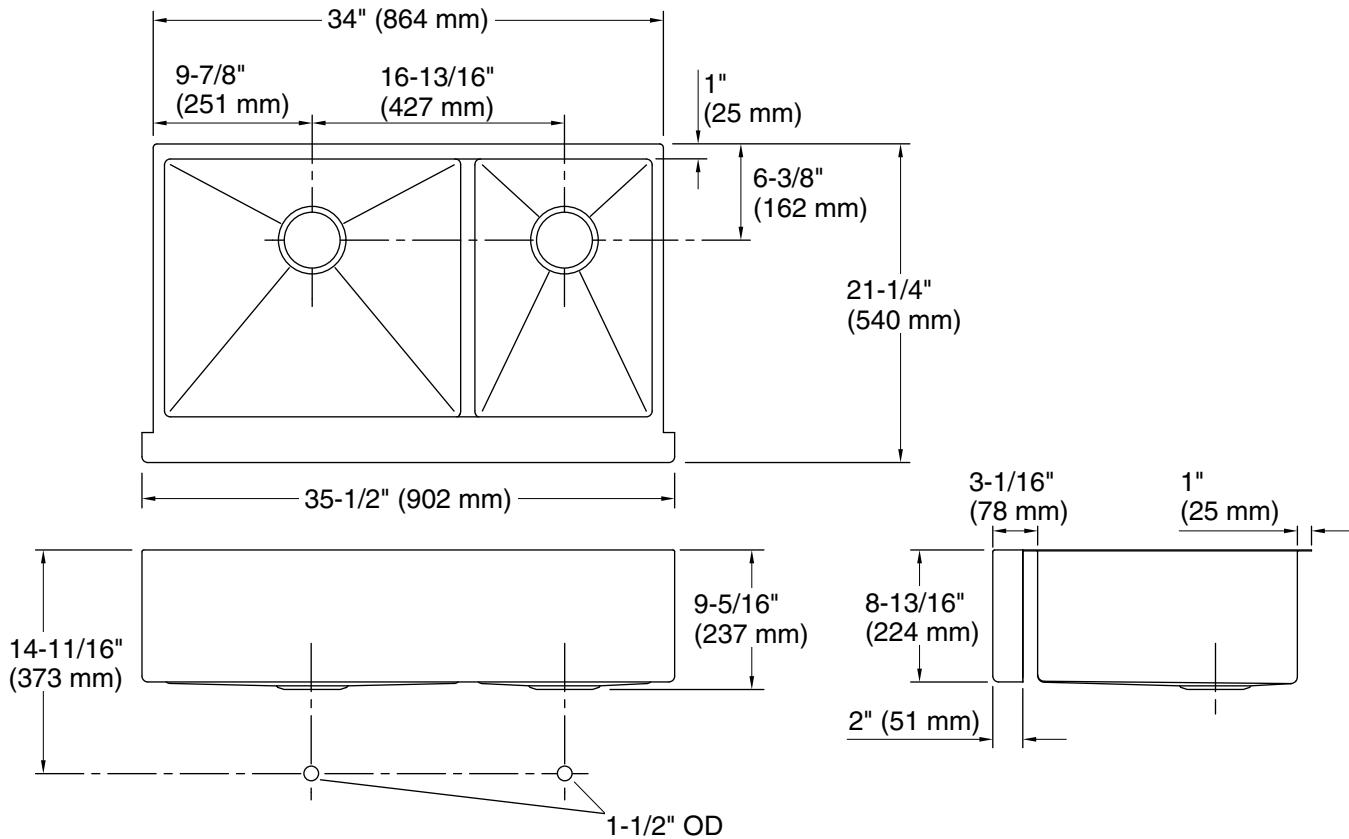


### Codes/Standards

ASME A112.19.3/CSA B45.4

### KOHLER® Stainless Steel Sinks Lifetime Limited Warranty

See website for detailed warranty information.



## Technical Information

All product dimensions are nominal.

Bowl configuration: Off-set Large/small

Min. base cabinet width: 36" (914 mm)

Bowl area (Left): Length: 19-11/16" (500 mm)  
Width: 17-3/16" (437 mm)  
Bowl depth: 9" (229 mm)  
Water depth: 9" (229 mm)

Bowl area (Right): Length: 11-11/16" (297 mm)  
Width: 17-3/16" (437 mm)  
Bowl depth: 9" (229 mm)  
Water depth: 9" (229 mm)

Drain hole: 3-3/4" (94 mm)

Template: 1224194-7, required, included

## Notes

Install this product according to the installation instructions.

The 3/4" (19 mm) side rim flanges are supported without using the clip attachment. See the installation guide for further instructions.