

Features

- 36" minimum base cabinet width
- Large/medium bowls
- 9" (229 mm) depth provides generous workspace
- Smart Divide® feature offers a lower bowl divider that increases workspace versatility
- Rear drain increases workspace in the sink and allows for more storage space underneath the sink
- Includes a sink bridge utility shelf with dishcloth bar and a bottom sink rack
- Includes installation hardware
- Rounded 10mm corners are easy to clean

Material

- Handcrafted from 16-gauge stainless steel
- Premium 16-gauge stainless steel

Installation

- Undermount

Recommended Products/Accessories

- K-6647 Right-Bowl Sink Rack
- K-8801 Sink drain and strainer with tailpiece
- K-8799 Sink drain and strainer basket
- K-23726 Drain treatment
- K-23729 Stainless steel cleaner

Optional Products/Accessories

- K-11352 Disposal Flange with Stopper

Included Components

- K-6429 Utility Rack
- K-6646 Left-Bowl Sink Rack

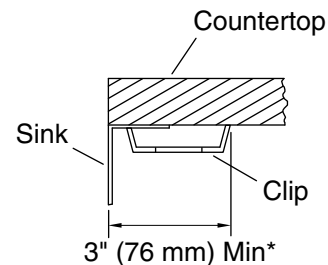
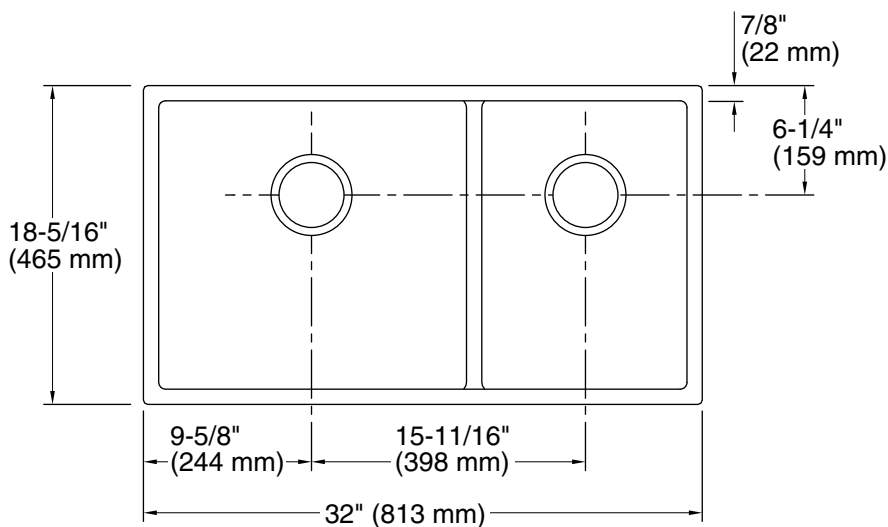


Codes/Standards

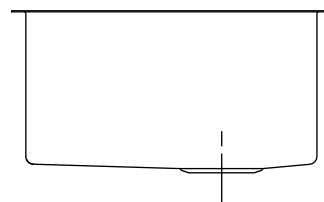
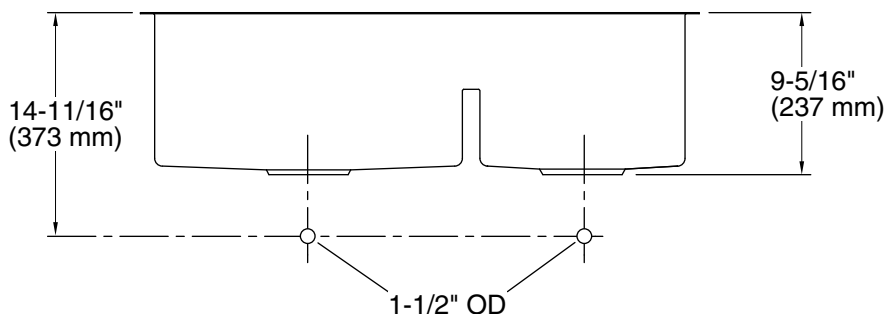
ASME A112.19.3/CSA B45.4

KOHLER® Stainless Steel Sinks Lifetime Limited Warranty

See website for detailed warranty information.



* Allow clearance around sink rim for clip attachment.



Technical Information

All product dimensions are nominal.

Bowl configuration: Off-set Large/small

Min. base cabinet width: 36" (914 mm)

Bowl area (Left):
Length: 17-1/2" (445 mm)
Width: 16-9/16" (420 mm)
Bowl depth: 9" (229 mm)
Water depth: 4-11/16" (118 mm)

Bowl area (Right):
Length: 11-5/8" (295 mm)
Width: 16-9/16" (420 mm)
Bowl depth: 9" (229 mm)
Water depth: 4-11/16" (118 mm)

Drain hole: 3-3/4" (94 mm)

Template: 1207216-7, required, included

Notes

Install this product according to the installation instructions.