

#### Features

- 36" minimum base cabinet width
- Single bowl
- 9-1/2" (241 mm) depth provides generous workspace
- Includes installation hardware, bottom sink rack, and bamboo cutting board

#### Material

- Handcrafted from 16-gauge stainless steel
- Premium 16-gauge stainless steel

#### Installation

- Undermount

#### Recommended Products/Accessories

- K-3141 Sink Rack
- K-8801 Sink drain and strainer with tailpiece
- K-8799 Sink drain and strainer basket
- K-23726 Drain treatment
- K-23729 Stainless steel cleaner

#### Optional Products/Accessories

- K-6133 Wine Glass Rack
- K-11352 Disposal Flange with Stopper

#### Included Components

- K-3140 Cutting Board
- K-3141 Sink Rack
- 91915 Hardware Kit

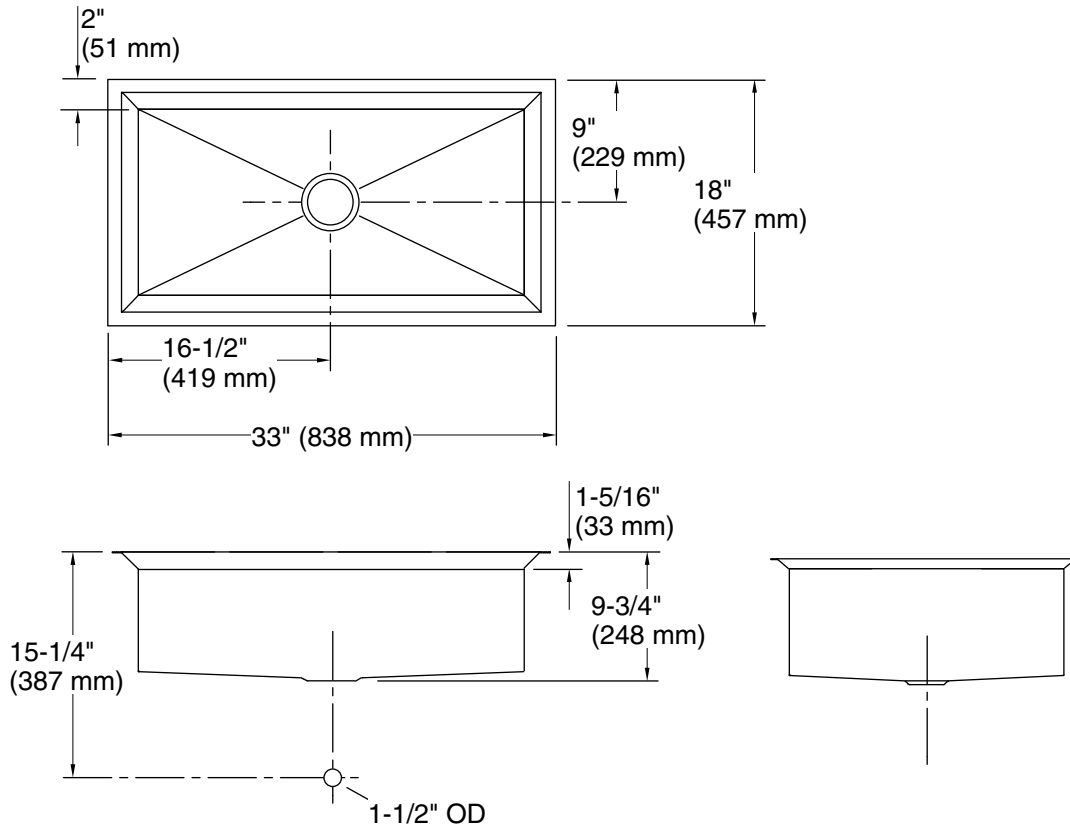


#### Codes/Standards

ASME A112.19.3/CSA B45.4

#### KOHLER® Stainless Steel Sinks Lifetime Limited Warranty

See website for detailed warranty information.



### Technical Information

All product dimensions are nominal.

Bowl configuration: Single

Min. base cabinet width: 36" (914 mm)

Bowl area (Only): Length: 29" (737 mm)  
Width: 14" (356 mm)  
Bowl depth: 9-1/2" (241 mm)

Drain hole: 3-5/8" (92 mm)

Template: 1021992-7, required, included

### Notes

Install this product according to the installation instructions.