



**Reckon™**  
1 hp garbage disposal  
**K-29358**

**Features**

- 1-hp heavy-duty induction motor powers through your toughest food waste
- 34.6 oz grind chamber
- Two-stage grind feature shreds scraps into smaller pieces, minimizing build-up in your plumbing
- Continuous feed lets you add scraps as you go
- Auto-reverse feature helps prevent jams and allows grind elements to wear evenly, extending disposer life
- Removable sink baffle dampens motor sound
- Compact design saves valuable cabinet space
- Box includes: Disposal, stainless steel stopper, removable baffle, discharge tube kit, power cord kit, self-service wrench, mounting hardware

**Material**

- Durable stainless steel construction

**Installation**

- Requires power cord kit or hard-wired power connection
- Under-sink

**Optional Products/Accessories**

K-11352 Disposal Flange with Stopper

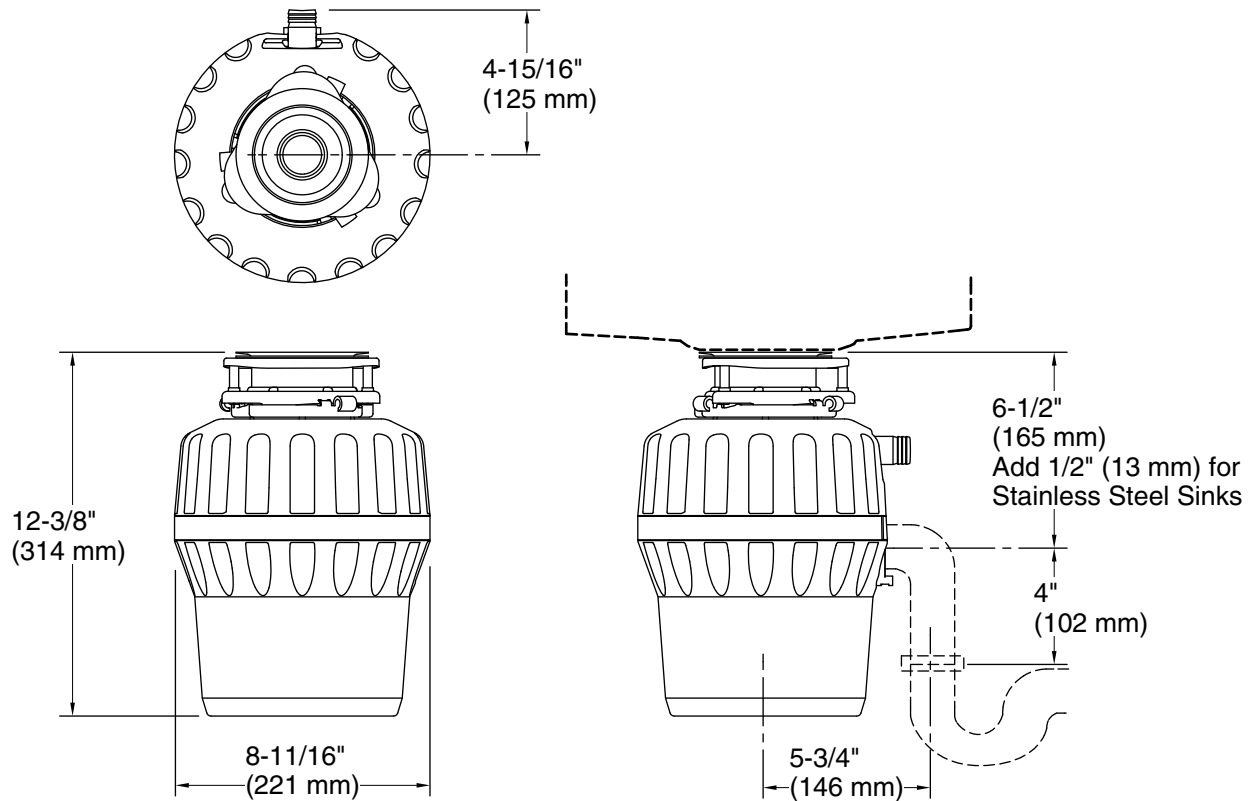


**Codes/Standards**

ASSE 1008  
UL 430

**KOHLER® Garbage Disposer Limited  
Warranty**

See website for detailed warranty information.



### Required Electrical Service

One circuit required.

Motor: 120 V, 9.5 A, 60 Hz

### Technical Information

All product dimensions are nominal.

Material: Stainless Steel

### Notes

Install this product according to the installation instructions.