

### Features

- 36" minimum base cabinet width
- Large/medium bowls
- 9" (229 mm) depth provides generous workspace
- Includes installation hardware and bottom sink rack
- Three faucet holes and one accessory hole to the right

### Material

- Handcrafted from 18-gauge stainless steel
- Premium 18-gauge stainless steel

### Installation

- Top-mount or undermount

### Recommended Products/Accessories

- K-6646 Left-Bowl Sink Rack
- K-6647 Right-Bowl Sink Rack
- K-8801 Sink drain and strainer with tailpiece
- K-8799 Sink drain and strainer basket
- K-23726 Drain treatment
- K-23729 Stainless steel cleaner

### Optional Products/Accessories

- K-6429 Utility Rack
- K-6432 Saddle Towel Bar
- K-6434 Saddle Utility Rack
- K-6667 Wood Cutting Board
- 1177161 Installation Clip Kit
- K-11352 Disposal Flange with Stopper

### Included Components

- 1130570 Hardware Kit, Self-Rimming
- K-6646 Left-Bowl Sink Rack

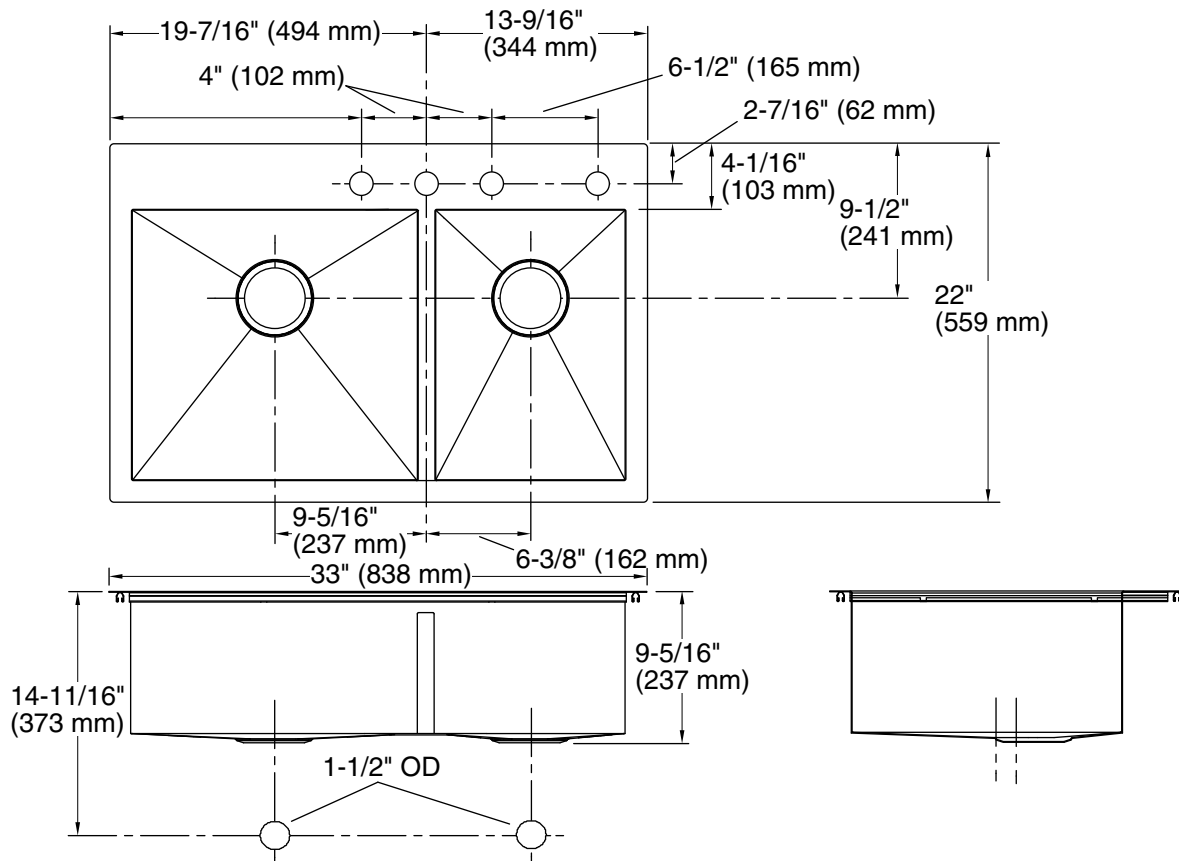


### Codes/Standards

ASME A112.19.3/CSA B45.4

### KOHLER® Stainless Steel Sinks Lifetime Limited Warranty

See website for detailed warranty information.



### Technical Information

All product dimensions are nominal.

Bowl configuration: Off-set Large/small

Center(s): 4

Min. base cabinet width: 36" (914 mm)

Bowl area (Left):  
Length: 17-1/2" (445 mm)  
Width: 16-9/16" (421 mm)  
Bowl depth: 9" (229 mm)  
Water depth: 9" (229 mm)

Bowl area (Right):  
Length: 11-5/8" (295 mm)  
Width: 16-9/16" (421 mm)  
Bowl depth: 9" (229 mm)  
Water depth: 9" (229 mm)

Number of deck holes: 4

Faucet hole spacing: 4" (102 mm)

Faucet hole(s): 1-7/16" (37 mm)

Drain hole: 3-7/8" (98 mm)

Template: 1130823-7, required, included

### Notes

Install this product according to the installation instructions.

Allow 3/4" (19 mm) clearance beyond the back of the bowl for the wood cutting board (optional accessory).