



Staccato™

33" top-mount double-bowl kitchen sink
K-3361-4

Features

- 36" minimum base cabinet width
- Large/medium bowls
- 8" (203 mm) depth
- Includes installation hardware
- Includes hardwood cutting board
- Three faucet holes and one accessory hole to the right

Material

- Premium 18-gauge stainless steel

Installation

- Top-mount

Recommended Products/Accessories

- K-5103 Right-Bowl Sink Rack
- K-5111 Sink Rack
- K-8801 Sink drain and strainer with tailpiece
- K-8799 Sink drain and strainer basket
- K-23726 Drain treatment
- K-23729 Stainless steel cleaner

Optional Products/Accessories

- K-3368 Sink Basket
- K-8813 Stainless steel sink drain and strainer with tailpiece
- K-11352 Disposal Flange with Stopper
- 7400 Stainless Steel Sink Drain and Strainer
- K-8814 Stainless steel sink drain and strainer

Included Components

- 1150001 Installation Clips
- K-3365 Cutting Board

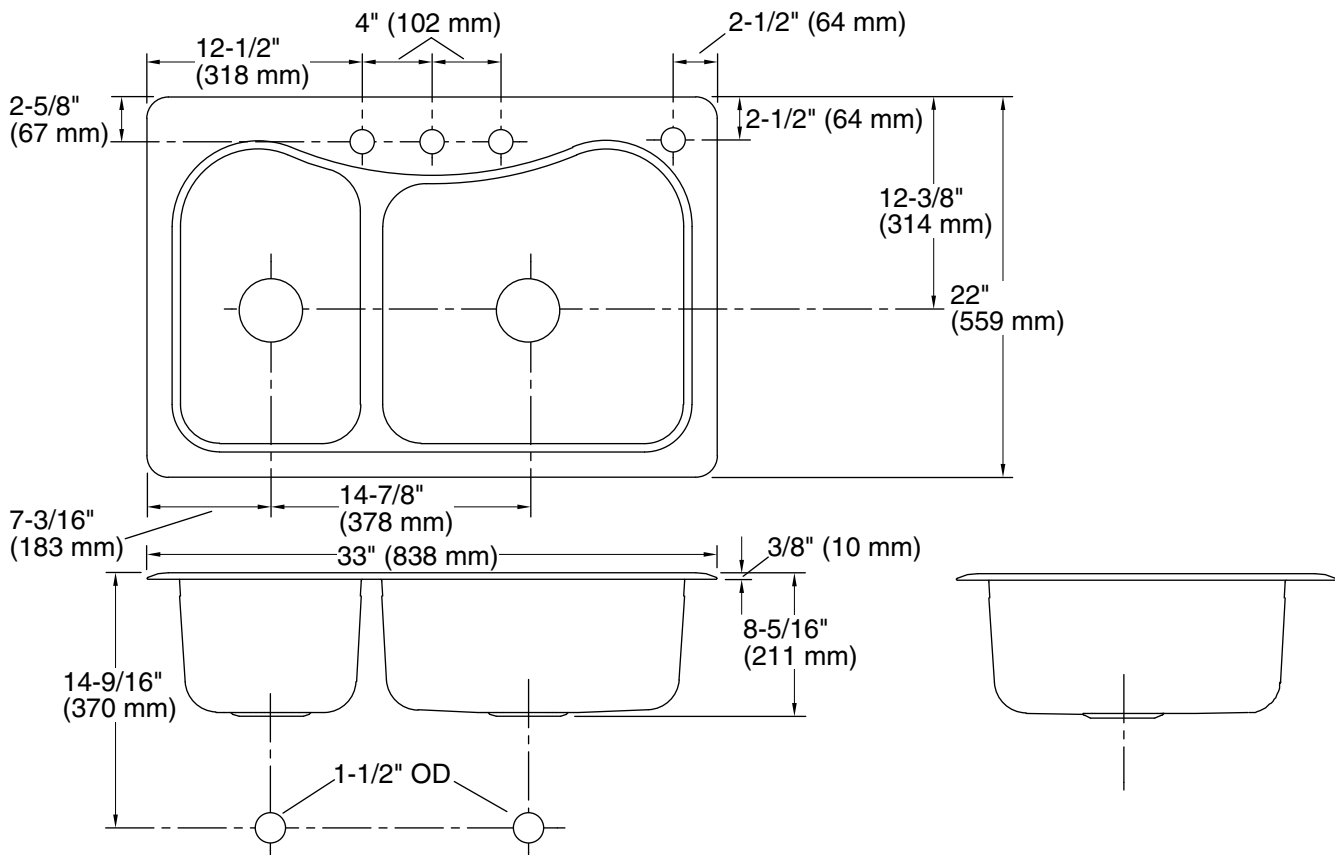


Codes/Standards

ASME A112.19.3/CSA B45.4

KOHLER® Stainless Steel Sinks Lifetime Limited Warranty

See website for detailed warranty information.



Technical Information

All product dimensions are nominal.

Bowl configuration: Off-set X-large/small

Cutout: Top-mount, 32-1/2" x 21-1/2" (826 mm x 546 mm) with 1" (25 mm) radius corners

Center(s): 4

Min. base cabinet width: 36" (914 mm)

Bowl area (Left): Length: 17-1/16" (433 mm)
Width: 10-7/16" (265 mm)
Bowl depth: 8" (203 mm)

Bowl area (Right): Length: 17-7/16" (443 mm)
Width: 17-1/16" (433 mm)
Bowl depth: 8" (203 mm)

Number of deck holes: 4

Faucet hole spacing: 4" (102 mm)

Faucet hole(s): 1-7/16" (37 mm)

Drain hole: 3-5/8" (92 mm)

Notes

Install this product according to the installation instructions.