

CLAYTON

WALL MOUNT SINK SHROUD

- 4610CHZ Single Hole
- 4640CHZ 4" Center
- 4680CHZ 8" Center
- 4644CHZ Shroud (Sold Separately)

* Special Order Only (See Price Book for Details)

- 4610CHZ-SO Single Hole (Sealed Overflow)
- 4640CHZ-SO 4" Center (Sealed Overflow)
- 4680CHZ-SO 8" Center (Sealed Overflow)

PRODUCT SPECS

- Vitreous china
- New Pro Guard Glaze
- Rear overflow hole
- Single hole, 4" or 8" faucet center
- Mounting bracket and hardware supplied
- For concealed arm carrier installation (supplied by others)
- Faucet not included
- Shroud sold separately (4644CHZ)

DIMENSIONS

520mm W x 580mm D x 545mm H
20½" W x 22¾" D x 21½" H

COMPLIANCE CERTIFICATIONS

- Meets or exceeds the following:
- IAPMO cUPC
 - ASME A112.19.2 / CSA B45.1
 - ADA Guidelines & ANSI A117.1
 - NBC and OBC Section 3.8 Barrier Free design and CSA B651 Standard

SHIPPING

Sink:	
Cube	2.93
GW	49 lbs
Shroud:	
Cube	1.48
GW	21 lbs

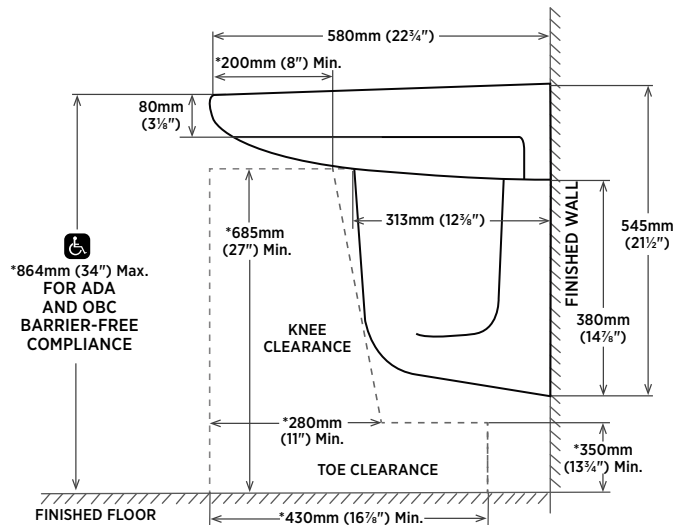
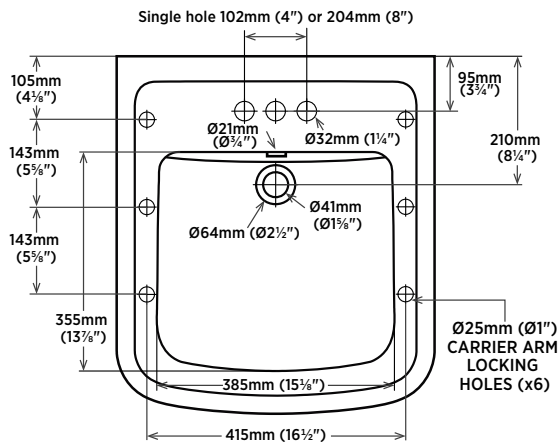
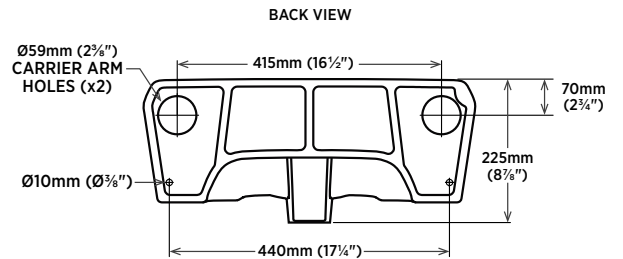
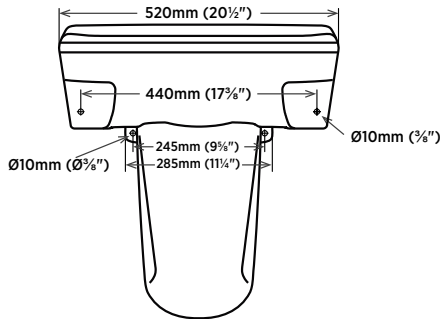


TO BE SPECIFIED

- Colour:
■ Soft White

NOTES: Dimensions of fixtures are nominal and may vary within the range of tolerances established by ASME standard A112.19.2. These measurements are subject to change or cancellation. No responsibility is assumed for use of superseded or voided pages.

Products are designed to comply ADA/ANSI A117.1, CSA B651 Standard and OBC barrier-free requirements. It shall be the responsibility of the installer to comply with the local disability codes and standards prior to installing the product.



NOTE: * Starred measurements comply with ADA and OBC barrier free accessibility requirements.

REVISED SEPTEMBER 2020

contrac

5970 CHEDWORTH WAY, UNIT B, MISSISSAUGA, ONTARIO, CANADA L5R 4G5 | CONTRAC.CA