

LOW PROFILE TANK

4.8LPF / 1.28GPF

□ 4721BFVU-LT Unlined Tank

PRODUCT SPECS

- Vitreous China
- Chrome tank lever
- 3" Flapper
- Compatible with the 4.8LPF Carlin, and Cody toilet bowls
- For Banjo countertop applications

DIMENSIONS

440mm W x 210mm D x 270mm H

17¼" W x 8¼" D x 10⅝" H

SHIPPING

Tank:

Cube 1.90

GW 34 lbs



TO BE SPECIFIED

Colour:

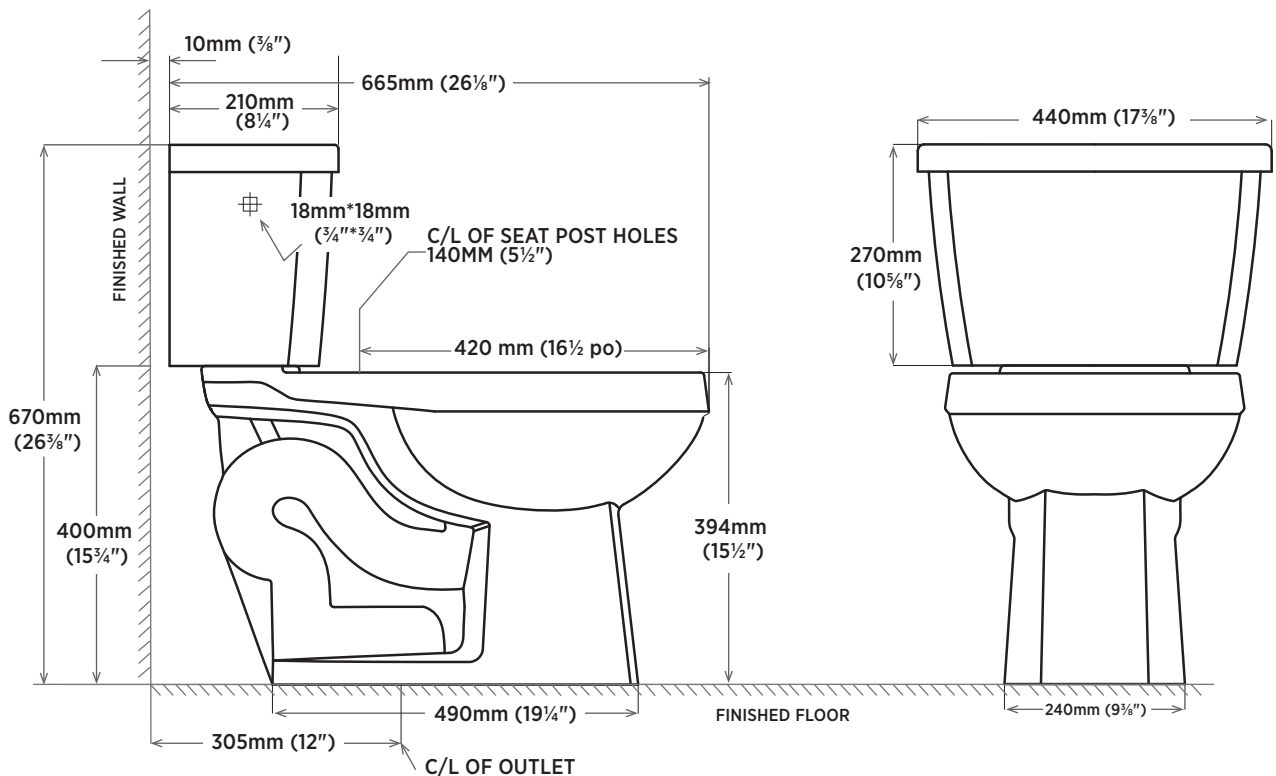
■ Soft White

NOTES: The drawing below shows a rough-in at a minimum dimension of 305mm (12") from finished wall to C/L of outlet. Supply line not included with fixture and must be ordered separately.

Important: Dimensions of fixtures are nominal and may vary within the range of tolerances established by ASME standard A112.19.2. These measurements are subject to change or cancellation. No responsibility is assumed for use of superseded or voided pages.

For additional component options and specifications, please visit contrac.ca / contrac.us

A) CARLIN - 4722BFV



PLEASE SEE PAGE 2 FOR MORE SPECIFICATIONS

PAGE 1/2

REVISED SEPTEMBER 2023

contrac

5970 CHEDWORTH WAY, UNIT B, MISSISSAUGA, ONTARIO, CANADA L5R 4G5 | CONTRAC.CA

LOW PROFILE TANK

4.8LPF / 1.28GPF

□ 4721BFVU-LT Unlined Tank

PRODUCT SPECS

- Vitreous China
- Chrome tank lever
- 3" Flapper
- Compatible with the 4.8LPF Carlin, and Cody toilet bowls
- For Banjo countertop applications

DIMENSIONS

440mm W x 210mm D x 270mm H

17¼" W x 8¼" D x 10⅝" H

SHIPPING

Tank:

Cube 1.90

GW 34 lbs



TO BE SPECIFIED

Colour:

■ Soft White

NOTES: The drawing below shows a rough-in at a minimum dimension of 305mm (12") from finished wall to C/L of outlet. Supply line not included with fixture and must be ordered separately.

Important: Dimensions of fixtures are nominal and may vary within the range of tolerances established by ASME standard A112.19.2. These measurements are subject to change or cancellation. No responsibility is assumed for use of superseded or voided pages.

For additional component options and specifications, please visit contrac.ca / contrac.us

A) CODY - 4722BEV

