

Features

- 4" (102 mm) centerset faucet holes
- Overflow drain
- Metal frame installation

Material

- KOHLER® enameled cast iron

Installation

- Drop-in

Required Products/Accessories

K-6688 Metal frame for use w/Tahoe® bathroom sink

Recommended Products/Accessories

K-8998 P-Trap
K-23726 Drain treatment
K-23725 Cast iron cleaner



ADA CSA B651 OBC

Codes/Standards

ASME A112.19.1/CSA B45.2
ADA
ICC/ANSI A117.1
CSA B651
OBC


KOHLER® Enameled Cast Iron Kitchen and Bathroom Sink Lifetime Limited Warranty

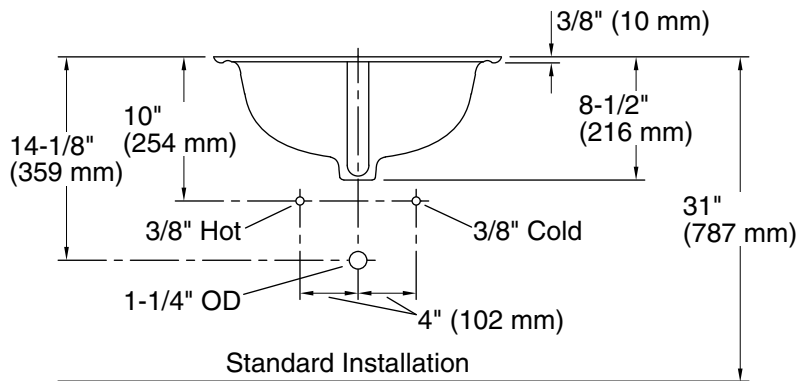
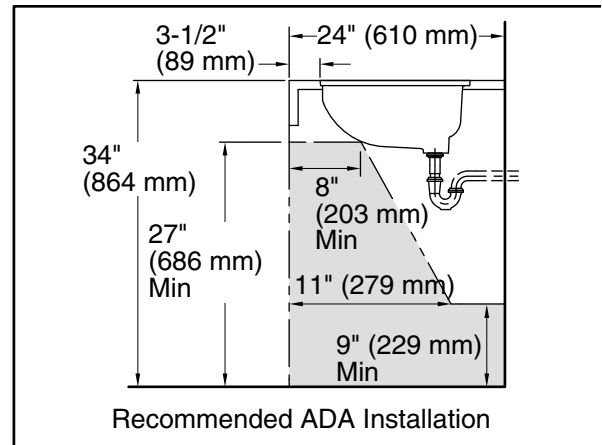
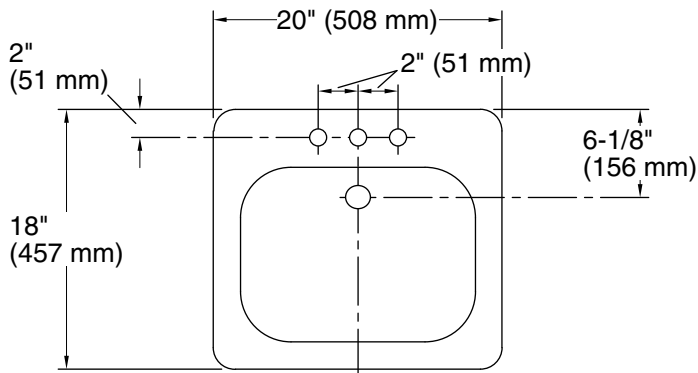
See website for detailed warranty information.

Available Colors/Finishes

Color tiles intended for reference only.

Color	Code	Description
-------	------	-------------

	0	White
---	---	-------



Technical Information

All product dimensions are nominal.

Bowl configuration:	Single
Center(s):	4
Bowl area (Only):	Length: 16" (406 mm) Width: 12" (305 mm) Water depth: 5" (127 mm)
With overflow:	Yes
Number of deck holes:	3
Faucet hole spacing:	4" (102 mm)
Faucet hole(s):	1-3/8" (35 mm)
Drain hole:	1-11/16" (43 mm)

Notes

Install this product according to the installation instructions.

A metal frame is required for installation.

ADA, OBC, CSA B651 compliant when installed to the specific requirements of these regulations.