

Features

- Gently curved basin
- Two side ledges
- Overflow drain
- No faucet holes; requires wall- or counter-mount faucet

Material

- KOHLER® enameled cast iron

Installation

- Undermount

Recommended Products/Accessories

- K-8998 P-Trap
- K-23726 Drain treatment
- K-23725 Cast iron cleaner

Included Components

- 1193643 Basin clamps



ADA

CSA B651

Codes/Standards

ASME A112.19.1/CSA B45.2
ADA
ICC/ANSI A117.1
CSA B651

KOHLER® Enameled Cast Iron Kitchen and Bathroom Sink Lifetime Limited Warranty

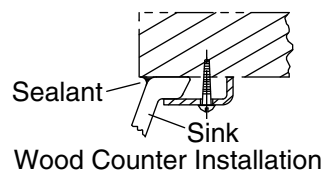
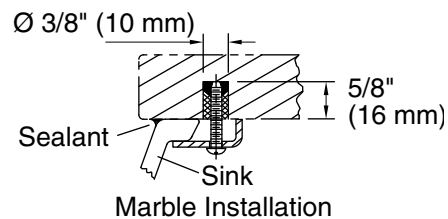
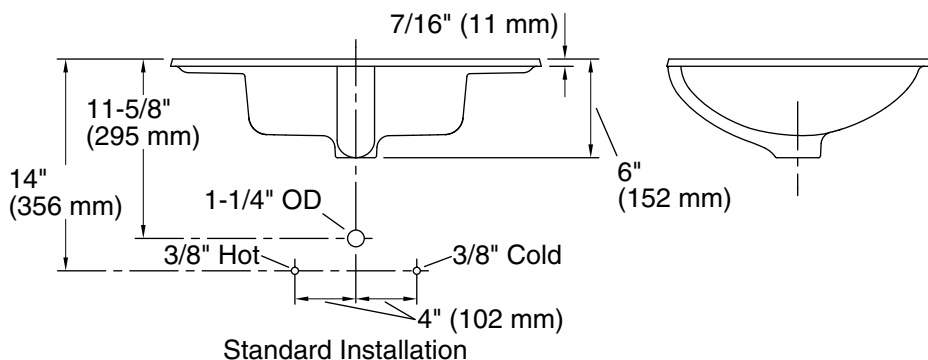
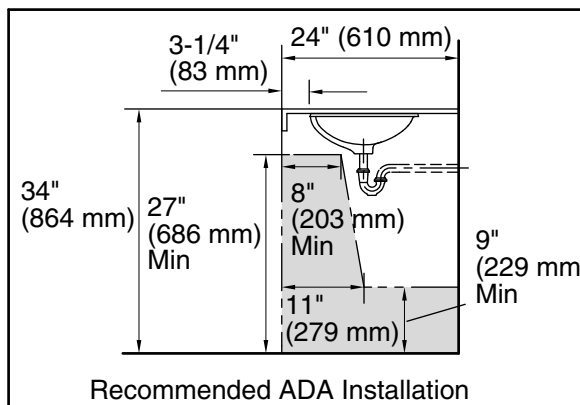
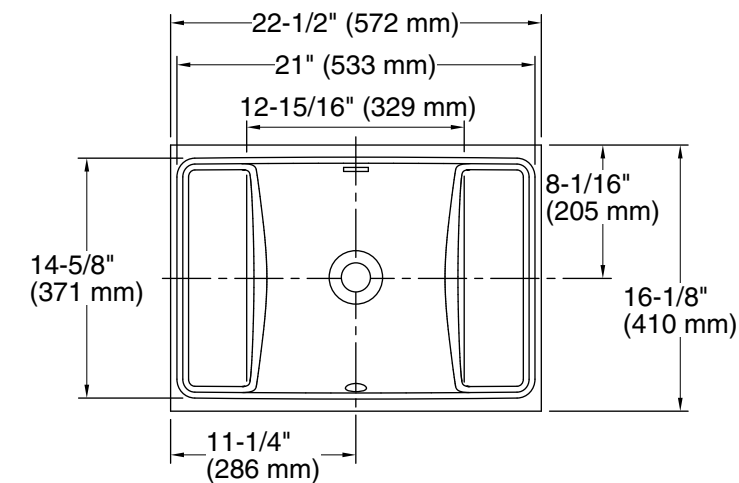
See website for detailed warranty information.

Available Colors/Finishes

Color tiles intended for reference only.

Color Code Description

	0	White
---	---	-------



Technical Information

All product dimensions are nominal.

- Bowl configuration: Single
- Bowl area (Only): Length: 12-15/16" (329 mm)
Width: 14-5/8" (371 mm)
Water depth: 3-1/4" (83 mm)
- With overflow: Yes
- Drain hole: 1-11/16" (43 mm)
- Template: 1070407-7, required, included

Notes

Install this product according to the installation instructions.

ADA, CSA B651 compliant when installed to the specific requirements of these regulations.