

Features

- Deep rectangular basin in opaque glass with rippled texture
- No faucet holes; requires wall- or counter-mount faucet
- Glass material provides a strong durable surface that is easy to clean yet visually distinctive
- The Inia sink is available in clear glass (Ice), translucent colors, and opaque colors
- Opaque color sinks feature a clear glass rim

Material

- Glass

Installation

- Drop-in

Recommended Products/Accessories

- K-23726 Drain treatment
- K-23723 Faucet cleaner
- K-7107 Decorative Drain



ADA

Codes/Standards

CSA B45.11/IAPMO Z401
ADA
ICC/ANSI A117.1


KOHLER® One-Year Limited Warranty

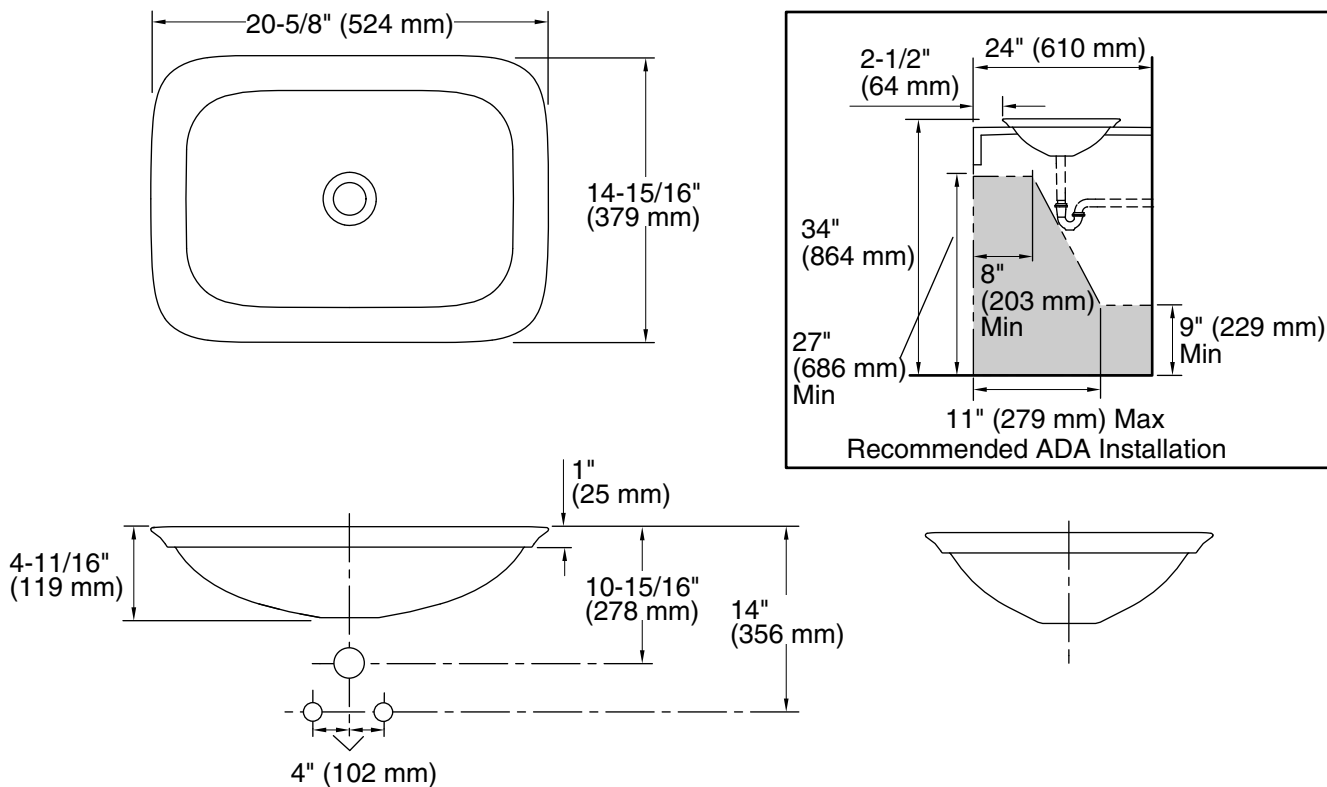
See website for detailed warranty information.

Available Colors/Finishes

Color tiles intended for reference only.

Color	Code	Description
-------	------	-------------

	B11	Ice
---	-----	-----



Technical Information

All product dimensions are nominal.

- Bowl area (Only): Length: 20-1/8" (511 mm)
 Width: 14-3/8" (366 mm)
 Bowl depth: 3-7/8" (99 mm)
- With overflow: No
- Template: 1190263-7, not required, included

Notes

- Install this product according to the installation instructions.
- Product does not have an overflow.
- NOTICE: Countertop manufacturer or cutter must use the cut-out template provided with the product, or a current one provided by Kohler Co. (call 1-800-4KOHLER). Kohler Co. is not responsible for cut-out errors when the incorrect cut-out template is used.
- Product must be installed with the supplied drain gasket kit.
- ADA compliant when installed to the specific requirements of these regulations.