

#### Features

- Single faucet hole
- Overflow drain
- 35-7/16" (900 mm) x 20-1/2" (520 mm)
- Rectangular basin with a contemporary design

#### Material

- Vitreous china

#### Installation

- Vessel

#### Recommended Products/Accessories

- K-23726 Drain treatment
- K-23725 Cast iron cleaner



ADA CSA B651

#### Codes/Standards




ASME A112.19.2/CSA B45.1  
ADA  
ICC/ANSI A117.1  
CSA B651

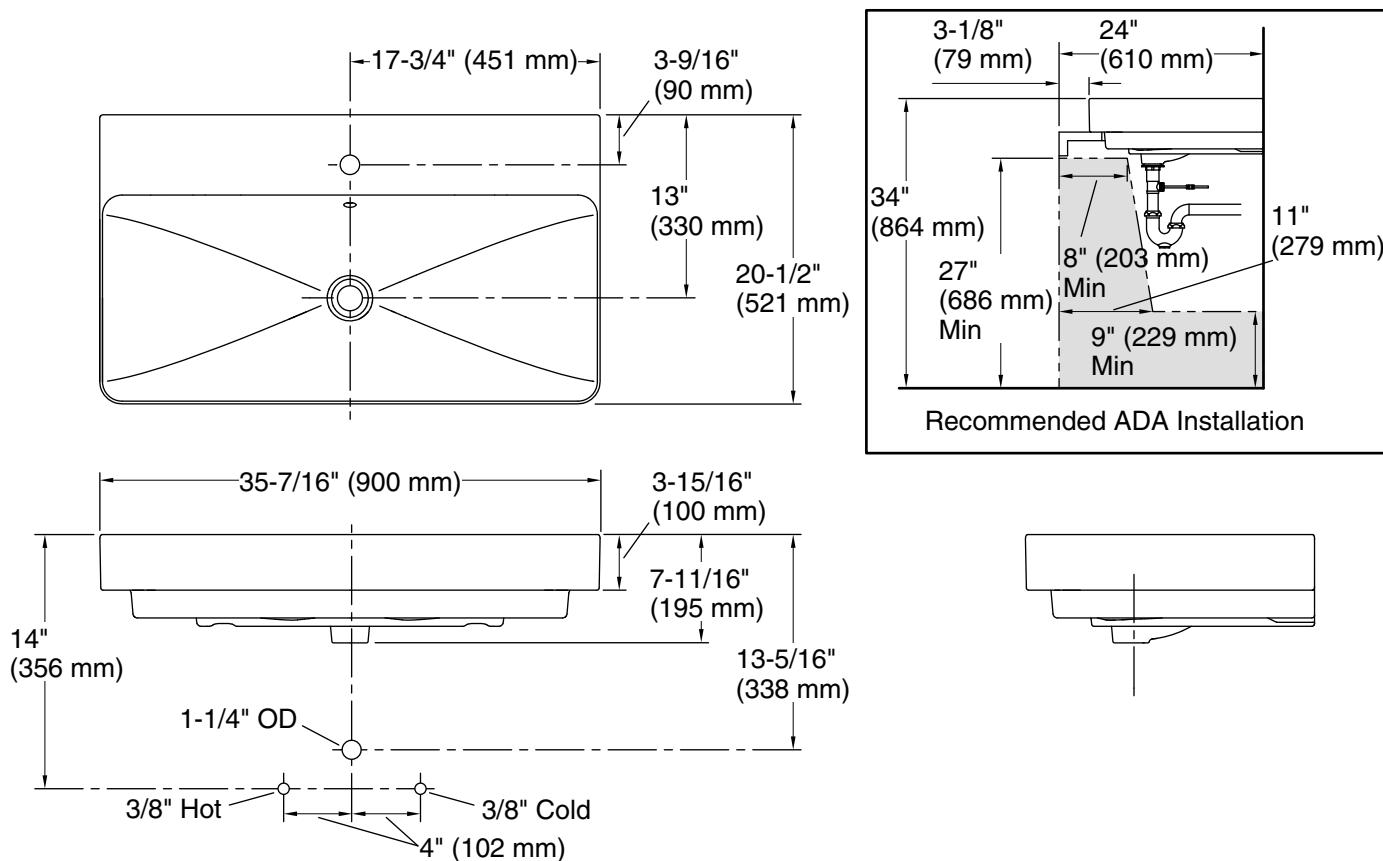
#### KOHLER® One-Year Limited Warranty

See website for detailed warranty information.

#### Available Colors/Finishes

*Color tiles intended for reference only.*

Color	Code	Description
	0	White
	96	Biscuit
	7	Black Black™



## Technical Information

All product dimensions are nominal.

Bowl area:	Length: 34-11/16" (881 mm)
	Width: 14-3/16" (361 mm)
	Bowl depth: 5-11/16" (145 mm)
	Water depth: 4-15/16" (125 mm)
With overflow:	Yes
Number of deck holes:	1
Drain hole:	1-3/4" (45 mm)

## Notes

Install this product according to the installation instructions.

Choose a faucet that will provide adequate clearance and will direct the water stream to the center of the bathroom sink.

Countertop manufacturer or cutter must use the cut-out template provided with the product, or a current one provided by Kohler Co. (call 1-800-4KOHLER). Kohler Co. is not responsible for cut-out errors when the incorrect cut-out template is used.

Product rests on countertop. Consider height when designing installation.

ADA, CSA B651 compliant when installed to the specific requirements of these regulations.