



**Whist®**  
19" oval wall-mount/undermount bathroom sink, no  
overflow  
**K-2741-G1**

**Features**

- Bowl-shaped basin in Dusk with concentric ring styling
- No faucet holes; requires wall- or counter-mount faucet
- Glass material provides a strong durable surface that is easy to clean yet visually distinctive
- Fits in or within a standard size countertop and works with a variety of faucet styles
- The Whist sink is available in clear glass (Ice), translucent colors, and opaque colors

**Material**

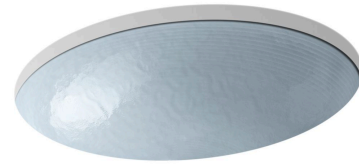
- Glass

**Installation**

- Undermount

**Recommended Products/Accessories**

- K-7107 Decorative Drain
- K-7108 Decorative Drain
- K-7129 Drain
- K-9018 P-Trap
- K-23726 Drain treatment
- K-23723 Faucet cleaner



**ADA** **CSA B651** **OBC**

**Codes/Standards**

CSA B45.11/IAPMO Z401  
ADA  
ICC/ANSI A117.1  
CSA B651  
OBC


**KOHLER® One-Year Limited  
Warranty**

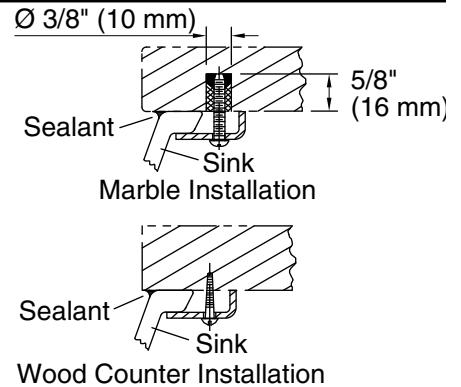
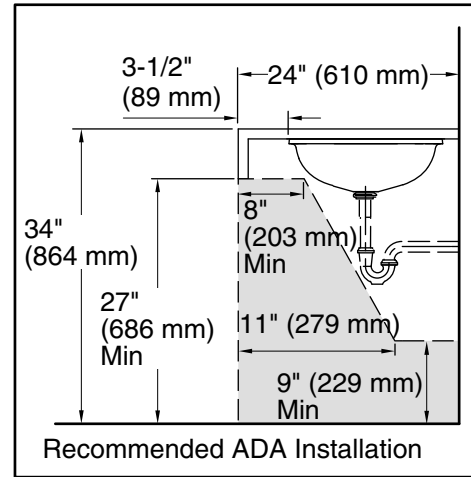
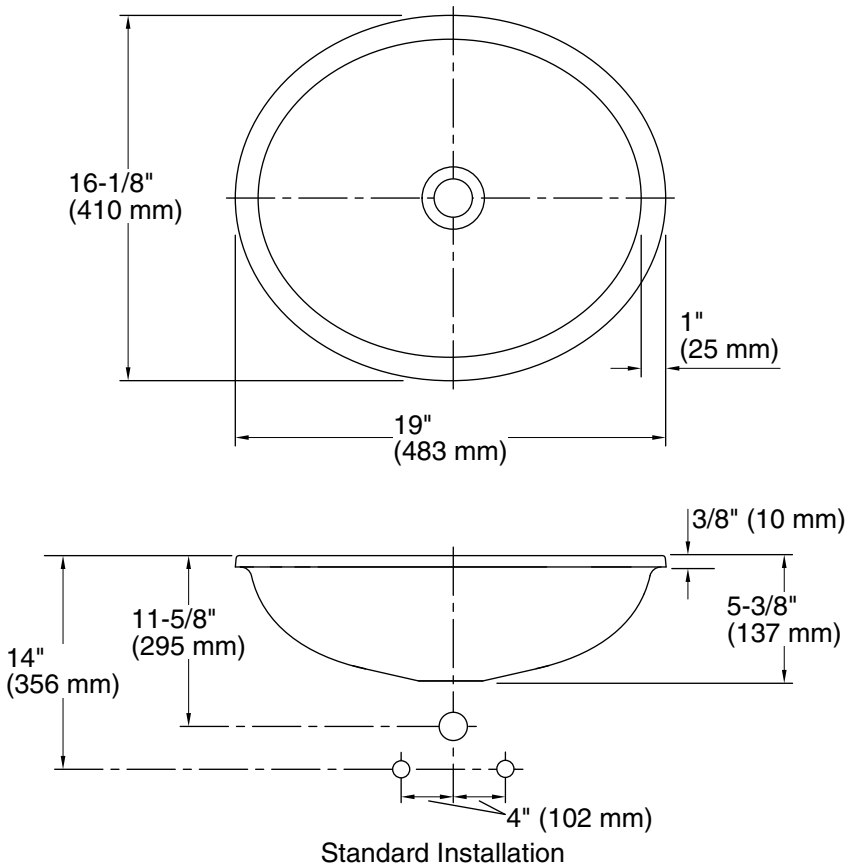
See website for detailed warranty information.

**Available Colors/Finishes**

*Color tiles intended for reference only.*

**Color Code Description**

 B11 Ice



## Technical Information

All product dimensions are nominal.

Bowl configuration:	Single
Bowl area (Only):	Length: 17-3/16" (437 mm) Width: 14-3/16" (360 mm) Bowl depth: 4-3/4" (121 mm) Water depth: 4-3/4" (121 mm)
With overflow:	No
Drain hole:	1-3/4" (44 mm)
Template:	1151011-7, required, included

## Notes

Install this product according to the installation instructions.

Product does not have an overflow.

**NOTICE:** Countertop manufacturer or cutter must use the cut-out template provided with the product, or a current one provided by Kohler Co. (call 1-800-4-KOHLER). Kohler Co. is not responsible for cutout errors when the incorrect cut-out template is used.

ADA, OBC, CSA B651 compliant when installed to the specific requirements of these regulations.