



Spun Glass®

17-1/2" round drop-in vessel bathroom sink, no overflow
K-2276

Features

- Beautifully translucent glass round basin
- No faucet holes; requires wall- or counter-mount faucet

Material

- Glass

Installation

- Above-counter or drop-in

Recommended Products/Accessories

K-7107 Decorative Drain
K-7108 Decorative Drain
K-7129 Drain
K-9033 Bottle trap, 1-1/4" x 1-1/4"
K-23726 Drain treatment
K-23723 Faucet cleaner



ADA

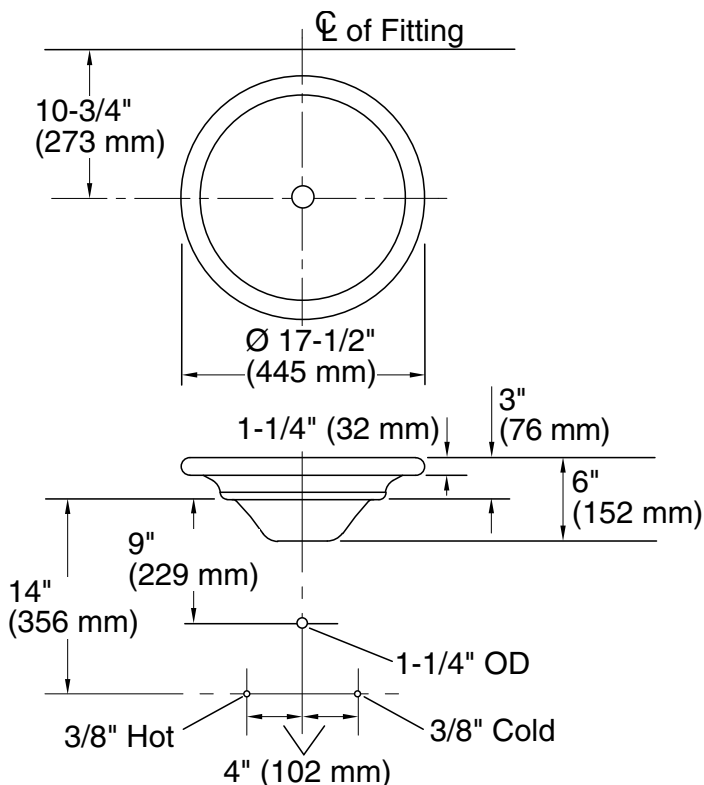
OBC

Codes/Standards

CSA B45.11/IAPMO Z401
CSA B45.5/IAPMO Z124
ADA
ICC/ANSI A117.1
OBC

KOHLER® One-Year Limited Warranty

See website for detailed warranty information.

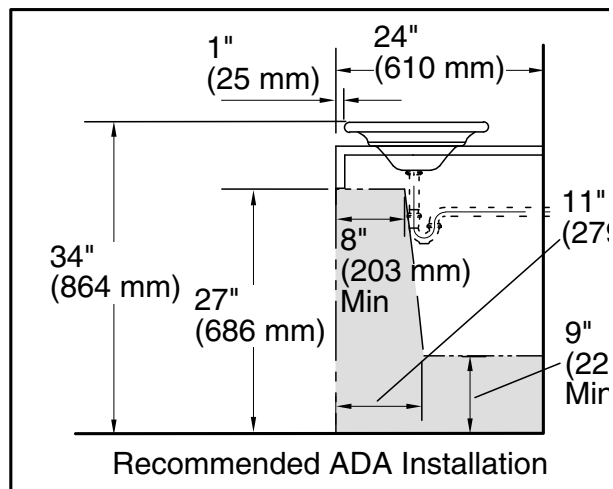


Standard Installation

Technical Information

All product dimensions are nominal.

Bowl configuration:	Single
Bowl area (Only):	Length: 15-1/4" (388 mm) Width: 15-1/4" (388 mm) Bowl depth: 5-1/2" (140 mm) Water depth: 5-1/2" (140 mm)
With overflow:	No
Template:	115888-7, required, included



Notes

Install this product according to the installation instructions.

Spout must be 5" (127 mm) long (min) for adequate clearance into lavatory when installed with centerline as shown.

Spout must be tall enough to clear 3" (76 mm) rim height and provide a 1" (25 mm) air gap per ASME A112.1.2.

Diagram is based on the K-9018 P-trap with a 1" (25 mm) tailpiece exposed.

ADA, OBC compliant when installed to the specific requirements of these regulations.