



# Conical Bell®

16-1/4" round wall-mount vessel bathroom sink, no overflow  
**K-2200**

## Features

- No faucet holes; requires wall- or counter-mount faucet

## Material

- Vitreous china

## Installation

- Vessel or wall-mount
- Requires K-9655 Vessel bracket for wall-mount installation

## Recommended Products/Accessories

- K-7114 Pop-Up Drain
- K-7129 Drain
- K-9018 P-Trap
- K-23726 Drain treatment
- K-23725 Cast iron cleaner



**ADA** **CSA B651**

## Codes/Standards



ASME A112.19.2/CSA B45.1  
ADA  
ICC/ANSI A117.1  
CSA B651

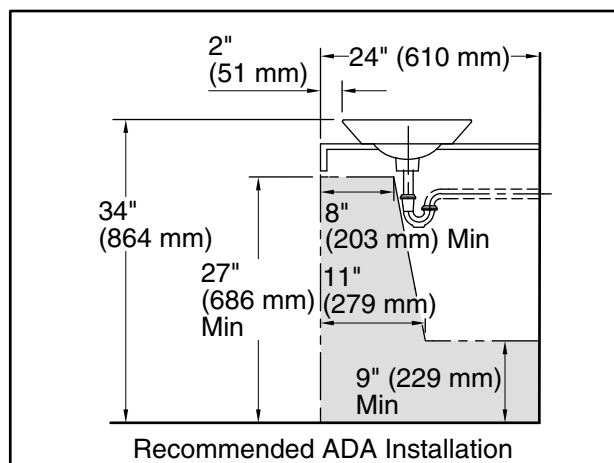
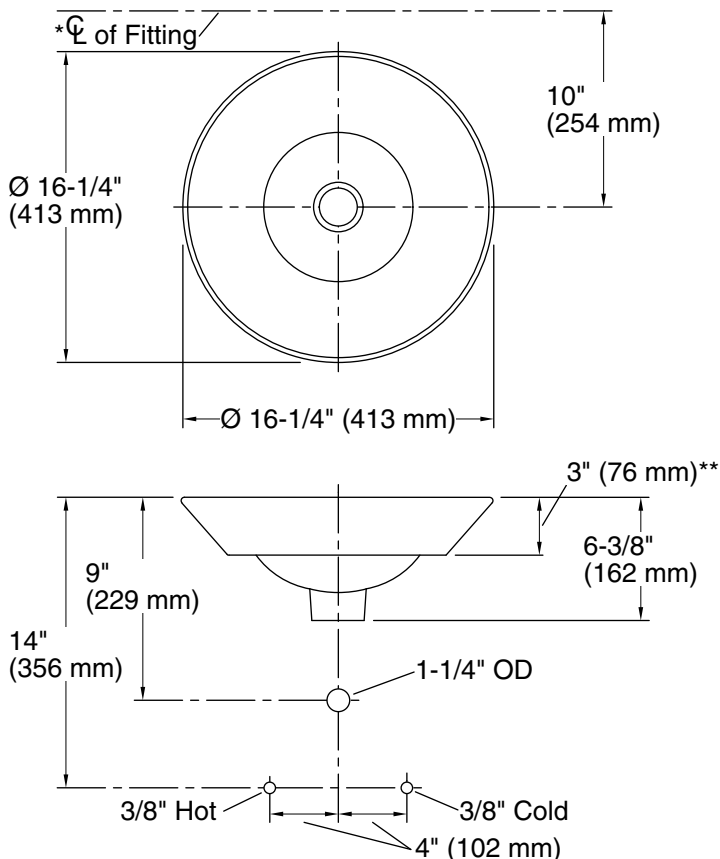
## KOHLER® One-Year Limited Warranty

See website for detailed warranty information.

## Available Colors/Finishes

*Color tiles intended for reference only.*

Color	Code	Description
	0	White
	HV	Bouclé™ Tweed



### Technical Information

All product dimensions are nominal.

Bowl configuration: Single

Bowl area (Only): Length: 15-5/16" (389 mm)  
Width: 15-5/16" (389 mm)  
Bowl depth: 4-3/8" (111 mm)  
Water depth: 4-1/4" (108 mm)

With overflow: No

Drain hole: 1-3/4" (44 mm)

Template: 1002980-7, required, included

### Notes

Install this product according to the installation instructions.

Product does not have an overflow.

\*Spout must be 5" (127 mm) long (min) for adequate clearance into the bathroom sink when installed with centerline as shown.

NOTICE: Countertop manufacturer or cutter must use the cut-out template provided with the product, or a current one provided by Kohler Co. (call 1-800-4-KOHLER). Kohler Co. is not responsible for cutout errors when the incorrect cut-out template is used.

ADA, CSA B651 compliant when installed to the specific requirements of these regulations.