

## Features

- UltraGlide<sup>®</sup> valves with dry-stem technology are designed to eliminate common leak paths and provide smooth, effortless control
- Red/blue indexing
- Vertical spray
- Fixture-mount transfer valve/vacuum breaker

## Material

- Premium metal construction for durability and reliability
- KOHLER<sup>®</sup> finishes resist corrosion and tarnishing

## Installation

- Handles are preassembled on valves to simplify installation
- For 5-1/2" (140 mm) centers

## Recommended Products/Accessories

- K-23726 Drain treatment
- K-23723 Faucet cleaner



## Codes/Standards

ASME A112.18.1/CSA B125.1  
ASSE 1001


## KOHLER<sup>®</sup> Faucet Lifetime Limited Warranty

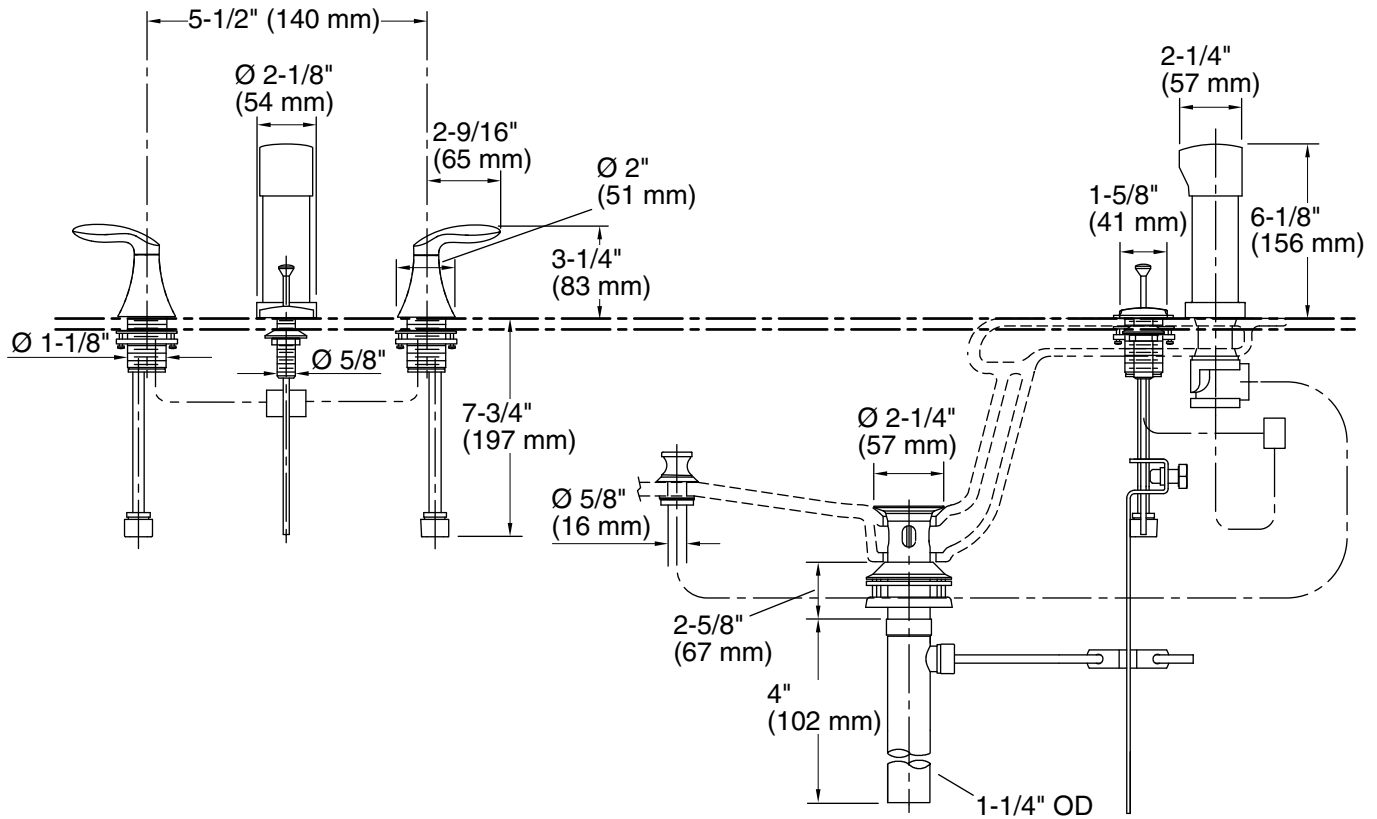
See website for detailed warranty information.

## Available Colors/Finishes

*Color tiles intended for reference only.*

Color	Code	Description
-------	------	-------------

	CP	Polished Chrome
---	----	-----------------



### Technical Information

All product dimensions are nominal.

Drain with overflow: Yes

### Notes

Install this product according to the installation guide.