



Serpentine Bronze™ Conical Bell®

16-1/4" round vessel bathroom sink, no overflow
K-14223-SP

Features

- Decorated with a sea life pattern on Sandbar background
- Round bowl-like basin
- No faucet holes; requires wall- or counter-mount faucet

Material

- Vitreous china

Installation

- Vessel

Recommended Products/Accessories

- K-7114 Pop-Up Drain
- K-7129 Drain
- K-9018 P-Trap
- K-23726 Drain treatment
- K-23725 Cast iron cleaner



ADA CSA B651

Codes/Standards

ASME A112.19.2/CSA B45.1
ADA
ICC/ANSI A117.1
CSA B651


KOHLER® One-Year Limited Warranty

See website for detailed warranty information.

Available Colors/Finishes

Color tiles intended for reference only.

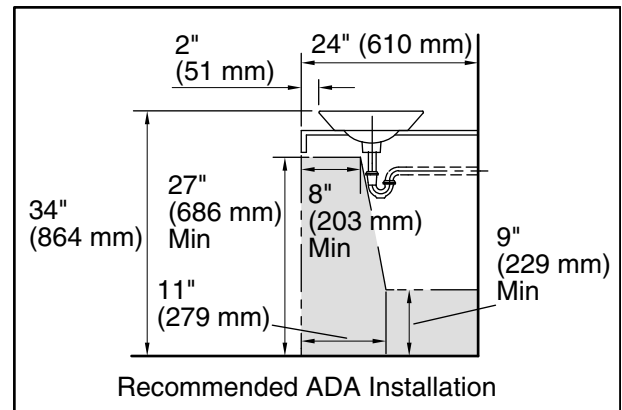
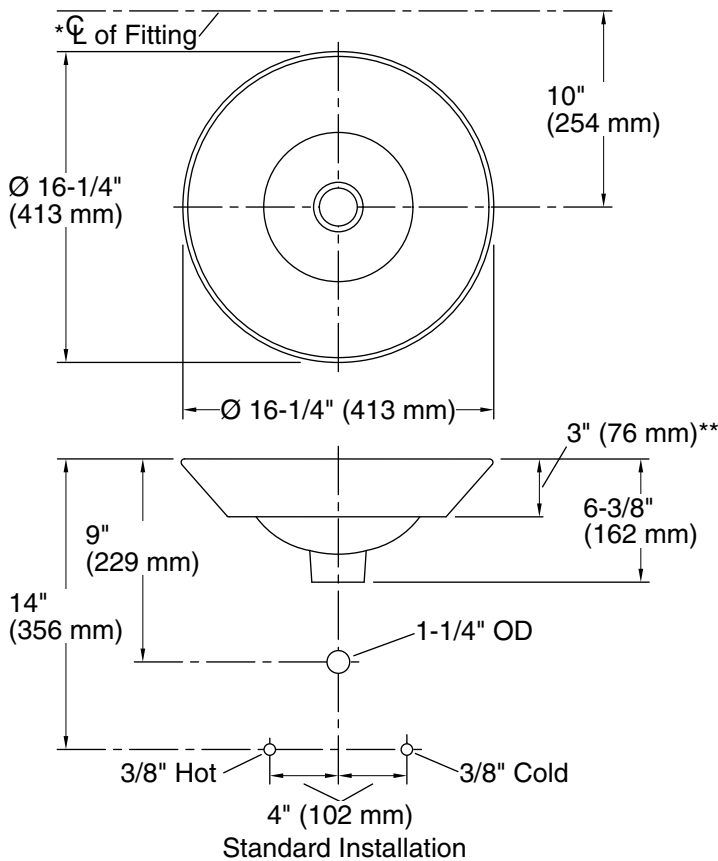
Color Code Description

 G9 Sandbar



Serpentine Bronze™ Conical Bell®

16-1/4" round vessel bathroom sink, no overflow
K-14223-SP



Technical Information

All product dimensions are nominal.

Bowl configuration:	Single
Bowl area (Only):	Length: 15-5/16" (389 mm) Width: 15-5/16" (389 mm) Bowl depth: 4-3/8" (111 mm) Water depth: 4-1/4" (108 mm)
With overflow:	No
Drain hole:	1-3/4" (44 mm)
Template:	1002980-7, required, included

Notes

Install this product according to the installation instructions.

*Spout must be 5" (127 mm) long (min) for adequate clearance into the bathroom sink when installed with centerline as shown.

NOTICE: Countertop manufacturer or cutter must use the cut-out template provided with the product, or a current one provided by Kohler Co. (call 1-800-4-KOHLER). Kohler Co. is not responsible for cut-out errors when the incorrect cut-out template is used.

ADA, CSA B651 compliant when installed to the specific requirements of these regulations.