



Pallene®
19" round vessel bathroom sink, no overflow
K-14016

Features

- Classically inspired embossed pattern on underside
- No faucet holes; requires wall- or counter-mount faucet
- 19" diameter

Material

- Glass

Installation

- Vessel

Required Products/Accessories

K-7107 Decorative Drain

or

K-7108 Decorative Drain

or

K-7129 Drain

Recommended Products/Accessories

K-23726 Drain treatment

K-23723 Faucet cleaner



ADA

Codes/Standards

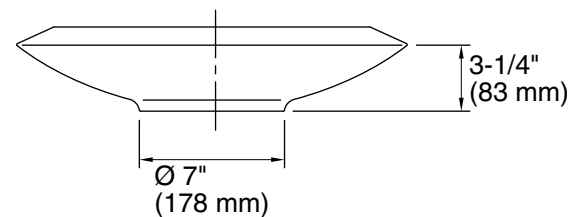
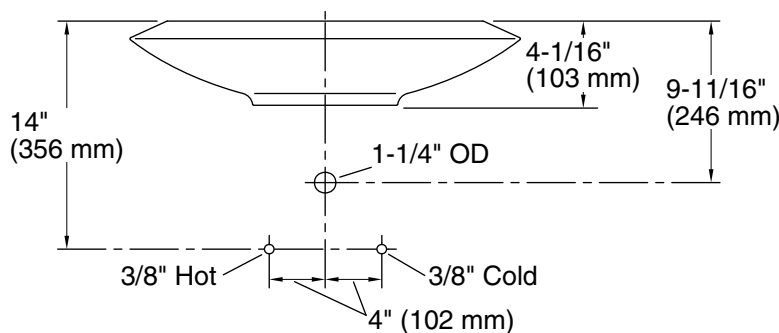
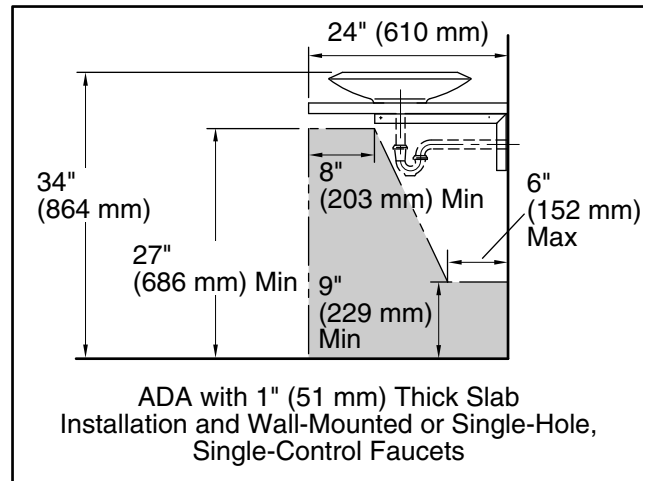
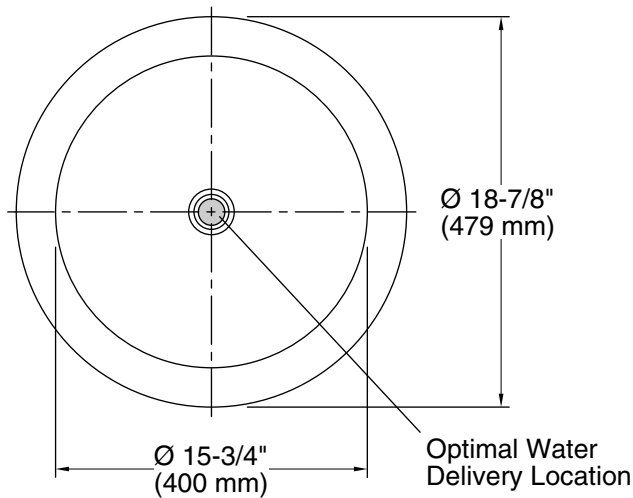
CSA B45.11/IAPMO Z401

ADA

ICC/ANSI A117.1

**KOHLER® One-Year Limited
Warranty**

See website for detailed warranty information.



Technical Information

All product dimensions are nominal.

- Bowl configuration: Single
 Bowl area (Only): Length: 15-13/16" (402 mm)
 Width: 15-13/16" (402 mm)
 Bowl depth: 2-7/8" (73 mm)
 Water depth: 3-1/2" (89 mm)
 With overflow: No
 Drain hole: 1-5/8" (41 mm)

Notes

- Install this product according to the installation instructions.
 Product does not have an overflow.
 ADA compliant when installed to the specific requirements of these regulations.