

# GRAYCIE

## OVAL DROP-IN SINK

- 4111BPU Single Hole
- 4114BPU 4" Center
- 4118BPU 8" Center

**\* Special Order Only** (See Price Book for Details)

- 4111BPU-SO Single Hole (Sealed Overflow)
- 4114BPU-SO 4" Center (Sealed Overflow)
- 4118BPU-SO 8" Center (Sealed Overflow)

### PRODUCT SPECS

- Vitreous China
- Rear overflow
- Template supplied
- Faucet not included

### DIMENSIONS

533mm W x 445mm D x 177mm H  
 21" W x 17½" D x 7" H

### COMPLIANCE CERTIFICATIONS

- Meets or exceeds the following:
- IAPMO cUPC
  - ASME A112.19.2 / CSA B45.1
  - ADA Guidelines & ANSI A117.1
  - NBC and OBC Section 3.8 barrier free design
  - CSA B651 Standard

### SHIPPING

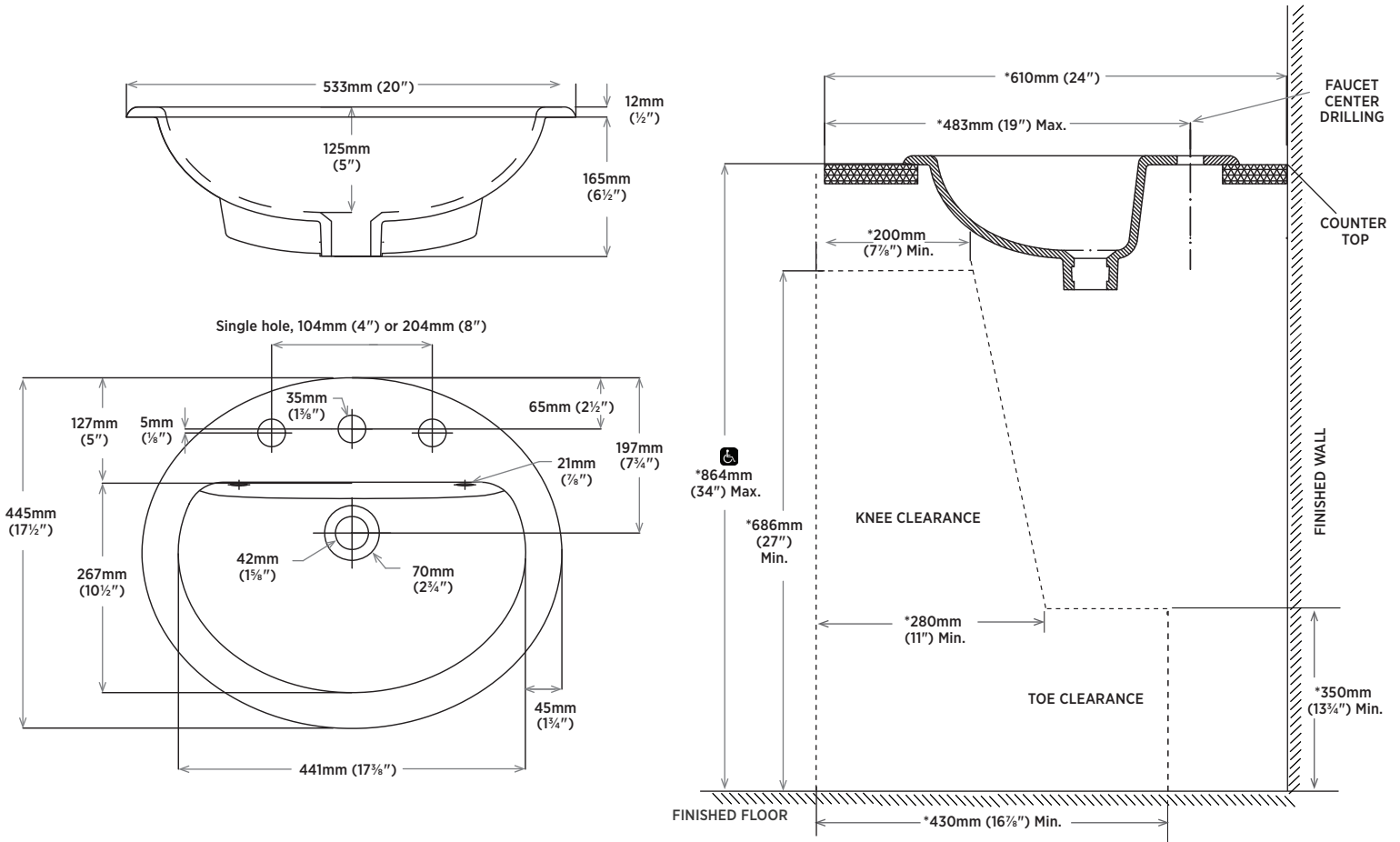
Cube 1.87  
 GW 27 lbs



### TO BE SPECIFIED

Colour:  
 Soft White

**NOTES:** Dimensions of fixtures are nominal and may vary within the range of tolerances established by ASME standard A112.19.2. These measurements are subject to change or cancellation. No responsibility is assumed for use of superseded or voided pages. The product is designed to comply with ADA and CSA B651 barrier free requirements, if installed according to the standard and local building codes. It is the responsibility of the installer to comply with this standard and local building codes prior to installation.



**NOTE:** \*Starred measurements comply with ADA guideline and CSA B651 barrier free accessibility requirements.

REVISED MAY 2020