

CAILYN

19" ROUND DROP-IN SINK

- 4110BRW Single Hole
- 4140BRW 4" Center

PRODUCT SPECS:

- Vitreous china
- Front overflow hole
- Single hole or 4" faucet center
- Template supplied
- Faucet not included

DIMENSIONS:

484mm W x 484mm D x 206mm H
19" W x 19" D x 8 1/8" H

COMPLIANCE CERTIFICATIONS

- Meets or exceeds the following:
- IAPMO cUPC
 - ASME A112.19.2 / CSA B45.1-2013
 - ANSI A117.1 ADA Standard
 - NBC and OBC Section 3.8 Barrier Free design and CSA B651 Standard

SHIPPING

Cube 1.27
GW 20 lbs

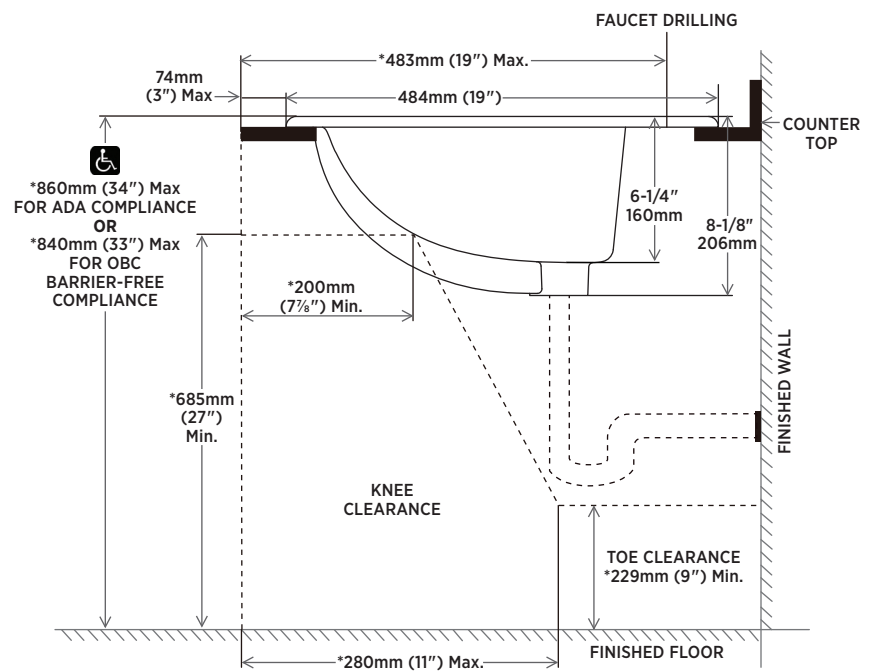
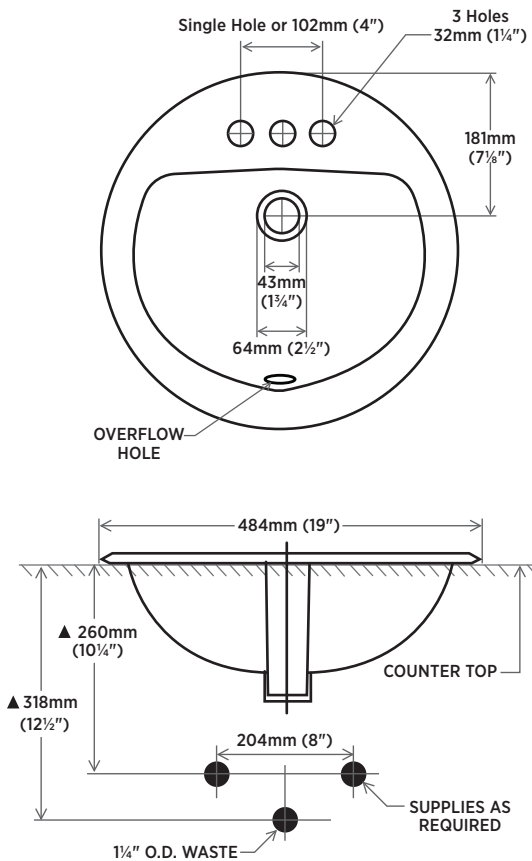


TO BE SPECIFIED

Colour:
■ Soft White

NOTES: Dimensions of fixtures are nominal and may vary within the range of tolerances established by ASME standard A112.19.2. These measurements are subject to change or cancellation. No responsibility is assumed for use of superseded or voided pages.

This product is designed to comply with ADA and OBC barrier-free requirements, if installed according to the standard. It is the responsibility of the installer to comply with this standard prior to installation.



▲ NOTE: Starred measurements comply with ADA and OBC barrier free accessibility requirements. Dimensions shown for location of supplied and waste are suggested.

REVISED NOVEMBER 2018

contrac

CANADA 5970 CHEDWORTH WAY, UNIT B, MISSISSAUGA, ONTARIO, CANADA L5R 4G5 | CONTRAC.CA
USA 6241 NORTHWIND PARKWAY, HOBART, INDIANA, USA 46342 | CONTRAC.US