

CATALINA

21" OVAL DROP-IN SINK

- 4110BGW Single Hole
- 4140BGW 4" Center
- 4180BGW 8" Center

PRODUCT SPECS:

- Vitreous china
- Front overflow hole
- Single hole, 4" or 8" faucet center
- Template supplied
- Faucet not included

DIMENSIONS:

514mm W x 432mm D x 194mm H
 20¼" W x 17" D x 7⅝" H

COMPLIANCE CERTIFICATIONS

- Meets or exceeds the following:
- IAPMO cUPC
 - ASME A112.19.2 / CSA B45.1-2013
 - ANSI A117.1 ADA Standard
 - NBC and OBC Section 3.8 Barrier Free design and CSA B651 Standard

SHIPPING

Cube 1.92
 GW 22 lbs

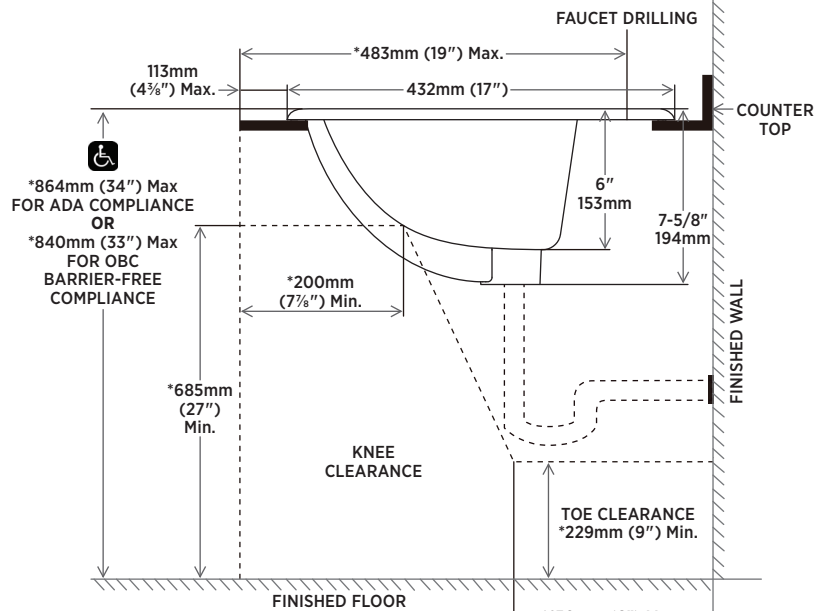
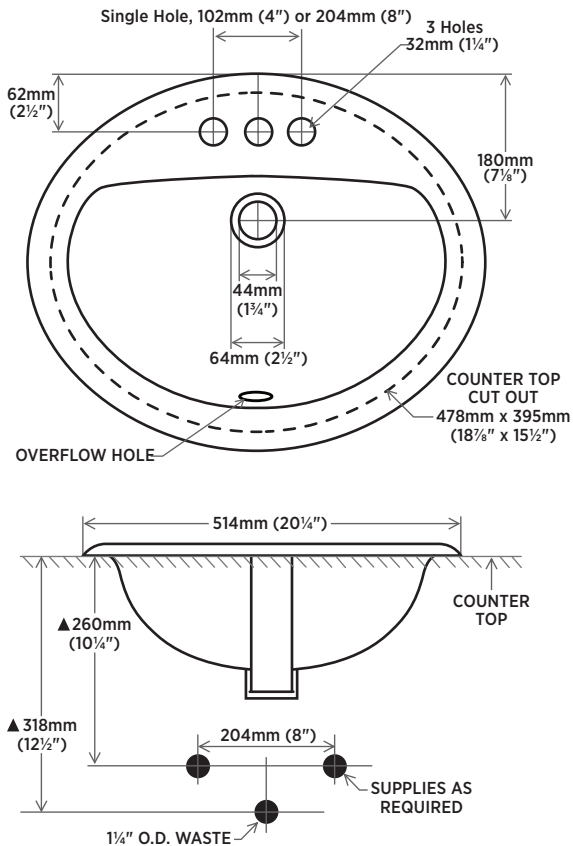


TO BE SPECIFIED

- Colour:
 ■ Soft White

NOTES: Dimensions of fixtures are nominal and may vary within the range of tolerances established by ASME standard A112.19.2. Measurements are subject to change or cancellation. No responsibility is assumed for use of superseded or voided pages.

This product is designed to comply with ADA and OBC barrier-free requirements, if installed according to the standard. It is the responsibility of the installer to comply with this standard prior to installation.



▲ NOTE: Starred measurements comply with ADA and OBC barrier free accessibility requirements. Dimensions shown for location of supply and waste are suggested.