

Features

- No faucet holes; requires wall- or counter-mount faucet

Material

- Vitreous china

Installation

- Vessel

Recommended Products/Accessories

- K-23726 Drain treatment
- K-23725 Cast iron cleaner



ADA **CSA B651**

Codes/Standards

ASME A112.19.2/CSA B45.1

ADA

ICC/ANSI A117.1




CSA B651

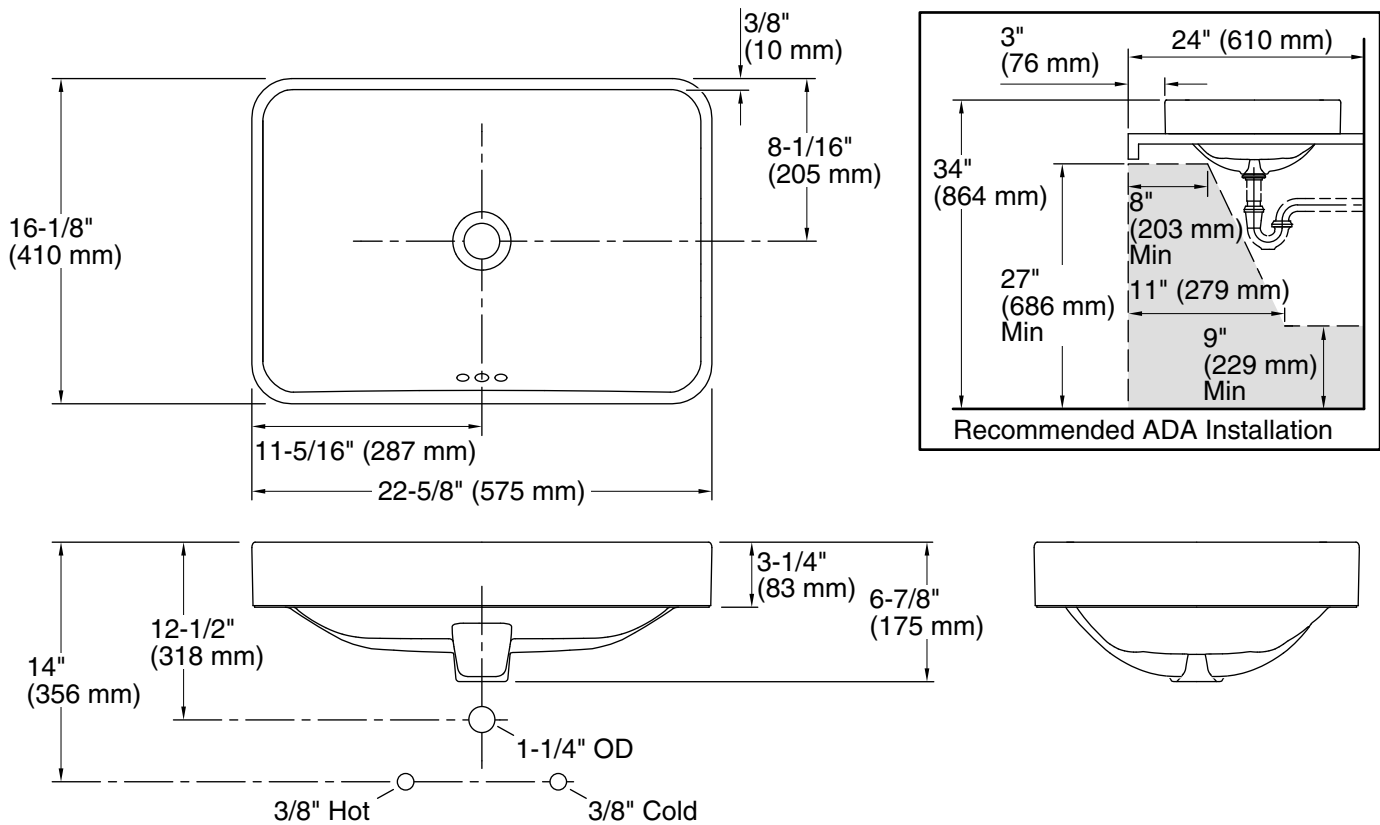
KOHLER® One-Year Limited Warranty

See website for detailed warranty information.

Available Colors/Finishes

Color tiles intended for reference only.

| Color | Code | Description |
|---|------|--------------|
|  | 0 | White |
|  | 96 | Biscuit |
|  | 7 | Black Black™ |



Technical Information

All product dimensions are nominal.

| | |
|---------------------|---|
| Bowl configuration: | Single |
| Bowl area (Only): | Length: 21-7/8" (556 mm) Width: 15-3/8" (391 mm) Bowl depth: 5" (127 mm) Water depth: 3-1/4" (83 mm) |
| With overflow: | Yes |
| Template: | 1245920-7, required, included |

Notes

Install this product according to the installation instructions.

NOTICE: Countertop manufacturer or cutter must use the cut-out template provided with the product, or a current one provided by Kohler Co. (call 1-800-4-KOHLER). Kohler Co. is not responsible for cutout errors when the incorrect cut-out template is used.

ADA, CSA B651 compliant when installed to the specific requirements of these regulations.