

# CALVIN

## OVAL UNDERMOUNT SINK

□ 4220CFY Undermount Sink

### PRODUCT SPECS:

- Vitreous china
- Front overflow hole
- Template supplied
- Mounting clips not included

### DIMENSIONS:

#### Outer:

490mm W x 410mm D x 195mm H  
 19¼" W x 16⅝" D x 7⅞" H

#### Inner:

430mm W x 350mm D x 145mm H  
 17" W x 13¾" D x 5¾" H

### COMPLIANCE CERTIFICATIONS

Meets or exceeds the following:

- IAPMO cUPC
- ASME A112.19.2 / CSA B45.1
- ADA Guidelines & ANSI A117.1
- OBC Section 3.8 Barrier Free design and CSA B651 Standard

### SHIPPING

Cube 1.53  
 GW 19 lbs

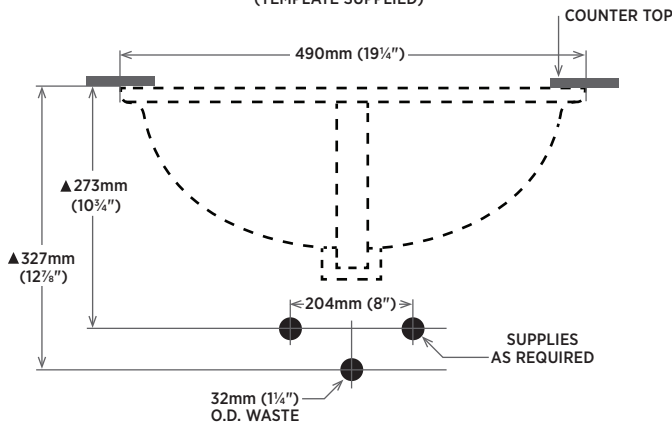
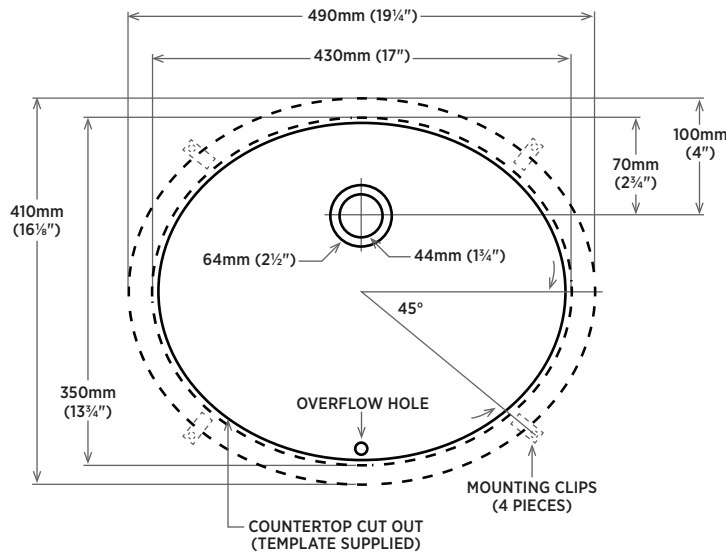


### TO BE SPECIFIED

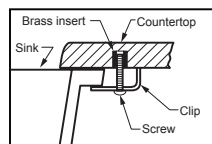
Colour:  
 ■ Soft White

**NOTES:** Dimensions of fixtures are nominal and may vary within the range of tolerances established by ASME standard A112.19.2. These measurements are subject to change or cancellation. No responsibility is assumed for use of superseded or voided pages.

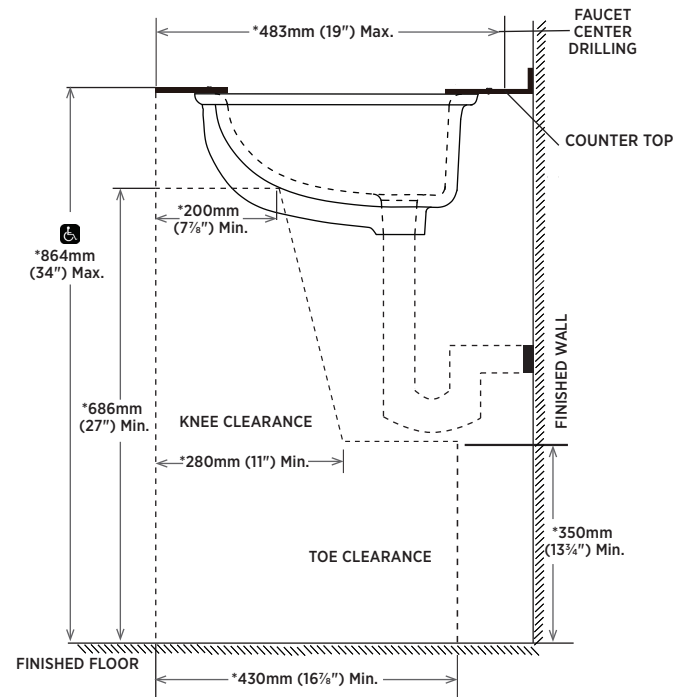
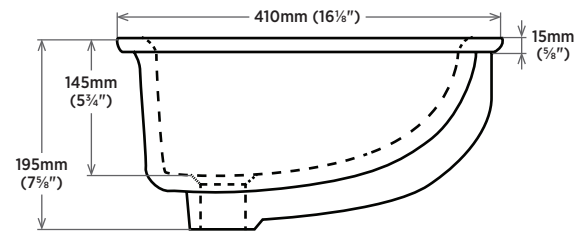
Products are designed to comply with ADA/ANSI A117.1, CSA B651 Standard and OBC barrier-free requirements. It shall be the responsibility of the installer to comply with the local disability codes and standards prior to installing the product.



#### DETAIL OF MOUNTING CLIP



**Note:**  
 ▲ Dimensions shown for location of supplies and "P" trap are suggested.



**NOTE:** \* Starred measurements comply with ADA and OBC barrier free accessibility requirements.

REVISED JULY 2020