

# KOHLER® Faucets Rite-Temp® shower trim kit with cross handle, 2.5 gpm Pinstripe® K-TS13134-3B

## Features

- Single cross handle controls both on/off activation and temperature setting
- A single handle controls both on/off activation and temperature setting
- MasterClean™ sprayface features an easy-to-clean surface that withstands mineral buildup
- Antiscald protection
- Coordinates with Pinstripe faucets, accessories, and showering components to complete your bathroom
- Pressure-balancing diaphragm technology maintains outlet temperature within +/-3°F during water pressure fluctuations
- Includes single-function 2.5 gpm (9.5 l/min) showerhead
- Includes faceplate with ADA-compliant metal cross handle
- Includes faceplate with handle, shower arm with flange and showerhead

## Material

- Premium material construction with metal handle ensures reliability and durability
- KOHLER® finishes resist corrosion and tarnishing

## Installation

- Wall-mount
- Trim only; requires valve to complete installation (sold separately)

## Required Products/Accessories

K-8304 Series Rite-Temp® Valve & Cartridge Kits

or

K-8300 Series Rite-Temp® Valve Body Rough-ins

K-8305 Series Rite-Temp® Cartridges

## Recommended Products/Accessories

K-23723 Faucet cleaner

## Optional Products/Accessories

K-10350 Deep rough-in kit

K-10351 Test cap for K-8300 Series valve bodies



## Codes/Standards

ASME A112.18.1/CSA B125.1

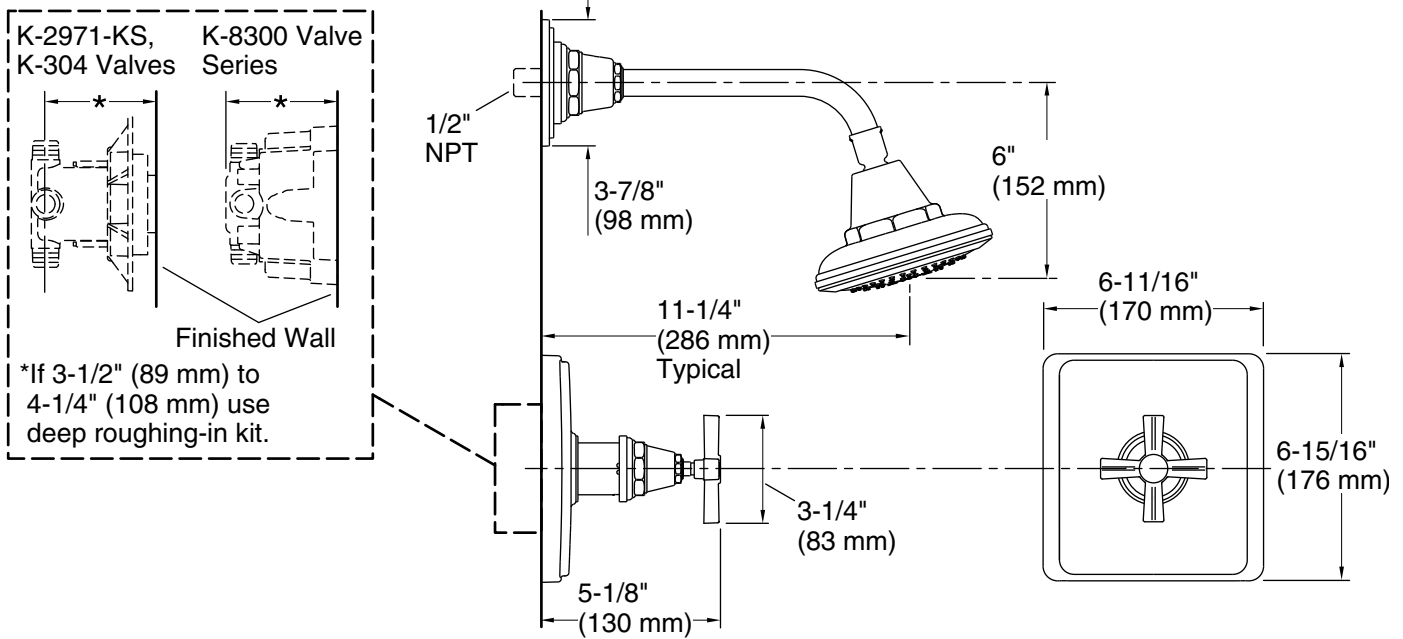
DOE - Energy Policy Act 1992

## KOHLER® Faucet Lifetime Limited Warranty

See website for detailed warranty information.

# KOHLER Faucets Rite-Temp® shower trim kit with cross handle, 2.5 gpm

**Pinstripe®**  
**K-TS13134-3B**



## Technical Information

All product dimensions are nominal.

Drain included: No

### Showerhead/Body Spray:

Rated maximum flow: 2.5 gal/min (9.5 l/min)

Pressure: 80 psi (5.5 bar)

## Notes

Install the product according to the installation guide.

**NOTICE:** Risk of product damage. Long screws for installing trim can damage the K-2971-KS valve. Consult the trim installation guide to verify if the thin wall installation kit (88526) is needed.