

Features

- Flipstream® technology uses a single sprayhead for four unique, experiential spray patterns; Koverage™, Kotton™, Komotion™, and Kurrent™
- Changing sprays is as easy as turning the head on its axis
- 1.75 gpm (6.6 lpm) maximum flow rate
- This product can help a building earn Water Efficiency points in LEED® Green Building Rating System

Installation

- 1/2 -14 NPT connection
- Shower arm and flange sold separately

Recommended Products/Accessories

- K-7395 Shower Arm and Flange
- K-23723 Faucet cleaner



Codes/Standards

ASME A112.18.1/CSA B125.1
DOE - Energy Policy Act 1992
EPA WaterSense®
California Energy Commission (CEC)



KOHLER® Faucet Lifetime Limited Warranty

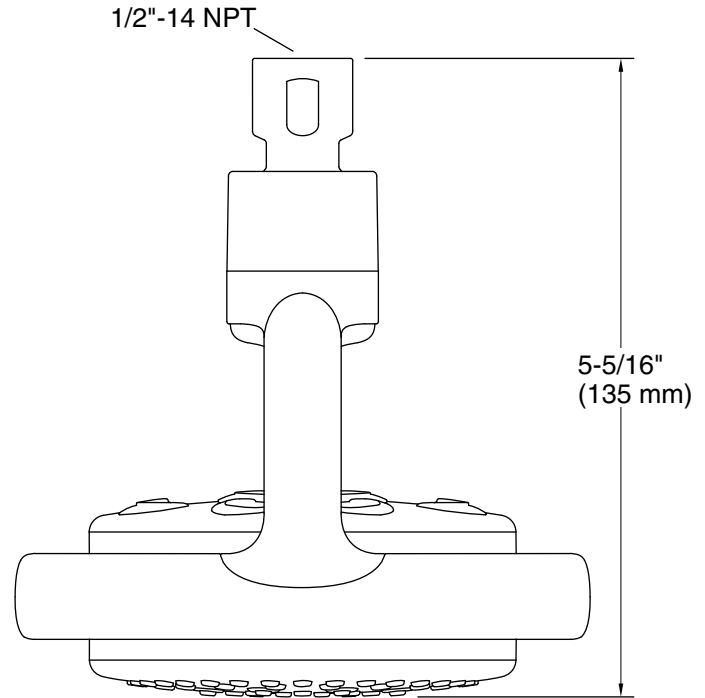
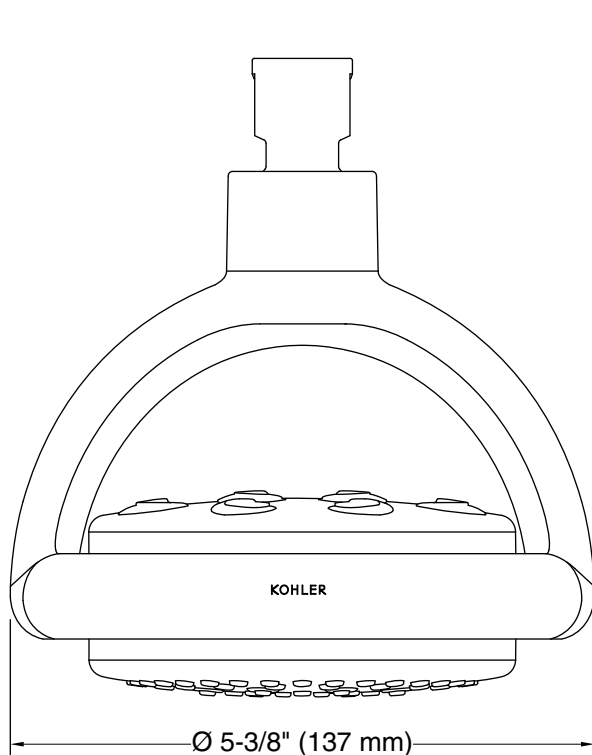
See website for detailed warranty information.

Available Colors/Finishes

Color tiles intended for reference only.

Color	Code	Description
-------	------	-------------

	CP	Polished Chrome
	BN	Vibrant® Brushed Nickel



Technical Information

All product dimensions are nominal.

Handshower:

Rated maximum flow: 1.75 gal/min (6.6 l/min)

Notes

Install this product according to the installation instructions.