

Features

- Geometric square basin with vertical sides
- Overflow drain
- No faucet holes; requires wall- or counter-mount faucet

Material

- Vitreous china

Installation

- Undermount

Recommended Products/Accessories

K-8998 P-Trap
K-23726 Drain treatment
K-23725 Cast iron cleaner

Included Components

1193643 Basin clamps



ADA CSA B651 OBC

Codes/Standards





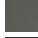
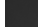
ASME A112.19.2/CSA B45.1
ADA
ICC/ANSI A117.1
CSA B651
OBC

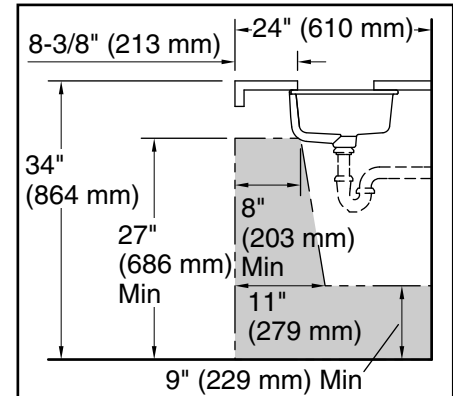
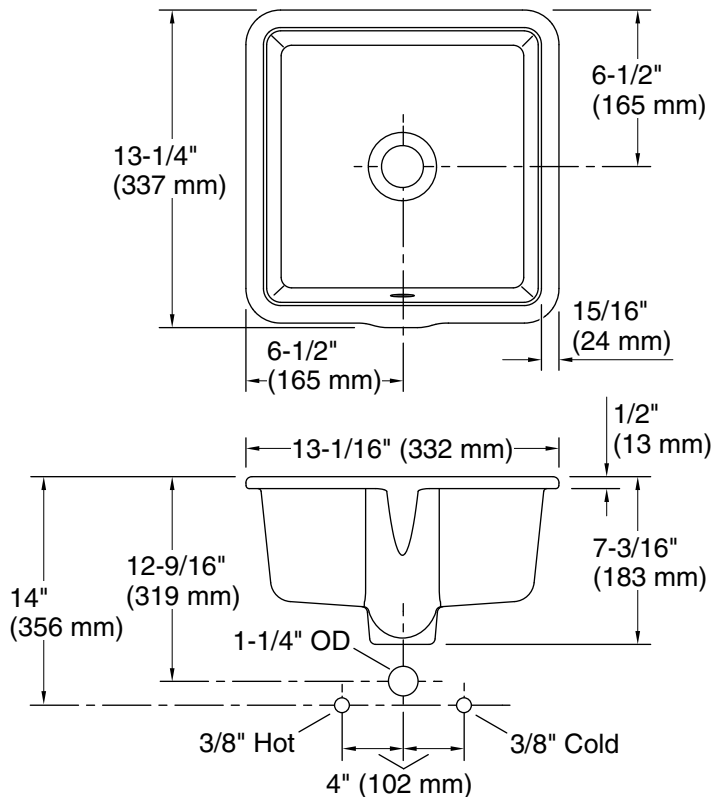
KOHLER® One-Year Limited Warranty

See website for detailed warranty information.

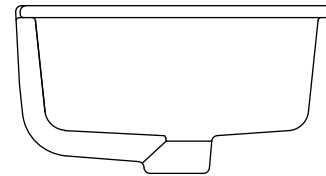
Available Colors/Finishes

Color tiles intended for reference only.

Color	Code	Description
	0	White
	96	Biscuit
	NY	Dune
	95	Ice™ Grey
	58	Thunder™ Grey
	7	Black Black™



Recommended ADA Installation



Technical Information

All product dimensions are nominal.

Bowl configuration:	Single
Bowl area (Only):	Length: 11-1/16" (280 mm) Width: 11-3/16" (284 mm) Bowl depth: 5-1/8" (130 mm) Water depth: 3-1/4" (83 mm)
With overflow:	Yes
Drain hole:	1-3/4" (44 mm)
Template:	1372555-7, required, not included

Notes

Install this product according to the installation instructions.

NOTICE: Countertop manufacturer or cutter must use the current product template available at www.kohler.com, or by calling 1-800-4KOHLER. Kohler Co. is not responsible for cutout errors when the incorrect cutout template is used.

ADA, OBC, CSA B651 compliant when installed to the specific requirements of these regulations.