

Features

- Handshower features transitional design, inspired by nature
- Advanced spray engine provides four alternate experiences: full coverage, drenching rain, intense massage and soft silk spray
- Full coverage spray produces an encompassing spray ideal for everyday use
- Full Coverage Rain uses gravity to deliver a soft flow of water, providing a gentle spray experience reminiscent of natural rainfall
- Intense massage spray targets sore muscles to ease away aches and pains
- Soft silk spray releases a dense, luxurious downpour of water
- Full 360° rotation of entire sprayface cycles through spray functions
- Silicone sprayface is easy to clean
- This product can help a building earn Water Efficiency points in LEED® Green Building Rating System

Material

- KOHLER® finishes resist corrosion and tarnishing

Installation

- Bracket or slidebar required for wall-mount installation
- Deck-mount holder required for deck-mount installation

Required Products/Accessories

K-8593 72" Shower Hose

or

K-9514 60" Shower Hose

or

K-45981 72" ribbon hose

or

K-45982 60" ribbon hose

Recommended Products/Accessories

K-23723 Faucet cleaner



OBC

Codes/Standards

ASME A112.18.1/CSA B125.1

DOE - Energy Policy Act 1992

EPA WaterSense®

California Energy Commission (CEC)




OBC

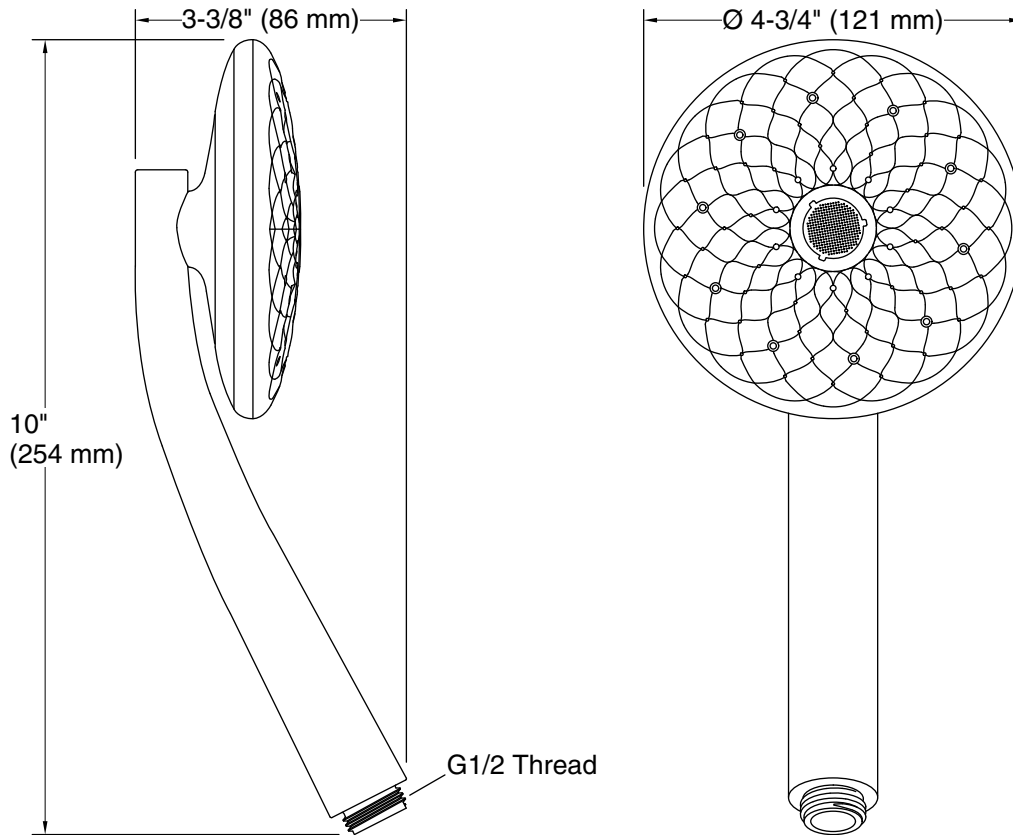
KOHLER® Faucet Lifetime Limited Warranty

See website for detailed warranty information.

Available Colors/Finishes

Color tiles intended for reference only.

Color	Code	Description
	CP	Polished Chrome
	SN	Vibrant® Polished Nickel
	BN	Vibrant® Brushed Nickel



Technical Information

All product dimensions are nominal.

Drain included: No

Handshower:

Rated maximum flow: 1.75 gal/min (6.6 l/min)

Notes

Install this product according to the installation instructions.

Plumbing codes require approved backflow prevention devices to be installed in-line to handshowers. Please consult with local plumbing officials.

OBC compliant when installed to the specific requirements of these regulations.