



Iron/Impressions®

49" Enameled cast iron vanity top with integrated oval sink

K-3053-8

Features

- 8" (203 mm) widespread faucet holes
- Elongated oval basin
- Combines with standard 48" (1219 mm) vanities to create a complete sink

Material

- KOHLER® enameled cast iron

Installation

- Vanity top

Recommended Products/Accessories

K-9018 P-Trap
K-23726 Drain treatment
K-23725 Cast iron cleaner



Codes/Standards

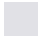








ASME A112.19.1/CSA B45.2

KOHLER® Enameled Cast Iron Kitchen and Bathroom Sink Lifetime Limited Warranty

See website for detailed warranty information.

Available Colors/Finishes

Color tiles intended for reference only.

Color	Code	Description
	0	White
	FF	Sea Salt™
	96	Biscuit
	NY	Dune
	95	Ice™ Grey
	FT	Basalt
	7	Black Black™
	GRL	Grey Lavender
	PLM	Black Plum

1-800-4KOHLER (1-800-456-4537)

Kohler Co. reserves the right to make revisions without notice to product specifications.

For the most current Specification Sheet, go to www.kohler.com.

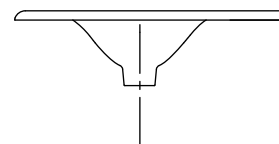
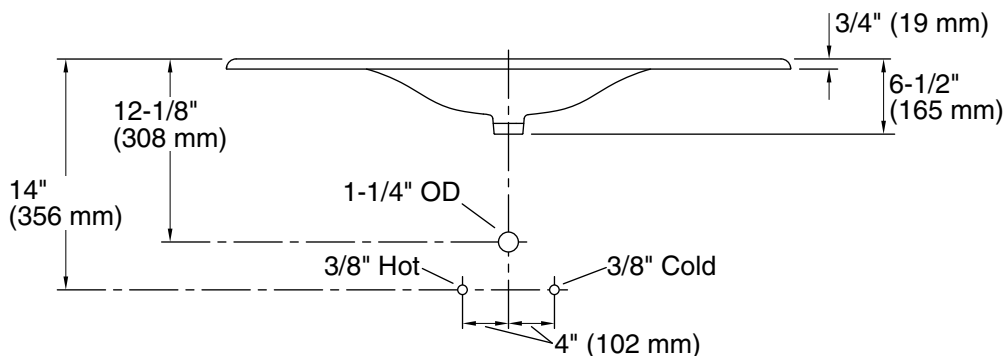
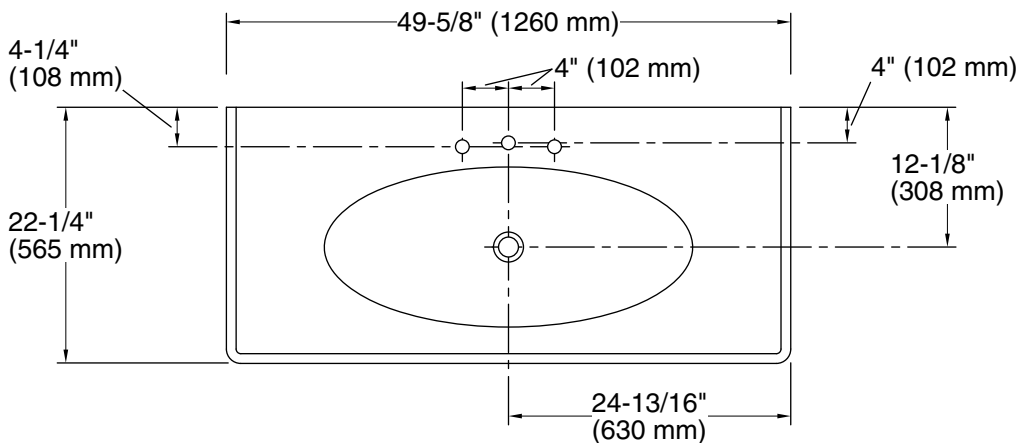
11-11-2023 22:43 - US/CA/MX

THE BOLD LOOK
OF **KOHLER**®



Iron/Impressions®

49" Enameled cast iron vanity top with integrated oval sink
sink
K-3053-8



Technical Information

All product dimensions are nominal.

- Bowl configuration: Single
- Center(s): 8
- Bowl area (Only): Length: 32" (813 mm)
Width: 13-7/8" (352 mm)
Water depth: 4-1/2" (114 mm)
- Number of deck holes: 3
- Faucet hole spacing: 8" (203 mm)
- Faucet hole(s): 1-3/8" (35 mm)
- Drain hole: 1-3/4" (44 mm)

Notes

Install this product according to the installation instructions.

Product does not have an overflow.

NOTE: When selecting a faucet for this bathroom sink, ensure the faucet has a spout reach of 4-1/2" (114 mm) to 5" (127 mm) and has a spout height of 3" (76 mm) to 6" (152 mm).