

Stamina 60-II 60 x 36 Acrylic Alcove One-Piece Shower

Model number:

101142-000-001-101

Dimensions: 59.5" x 35.75" x 76.375"

Installation: Alcove

Material: Acrylic



Standard Features:

- Spacious shower with improved ergonomics
- 1 or 2-piece shower without roof cap
- Integrated shelves, specify Chrome or Brushed Nickel guard rail 56
- 12 in. acrylic grab bar 28 and soap dish included
- Customize the shower: specify R/L or 2 seats

Standard Colors:



White

Certifications

MAAX products adhere to one or more of the following certifications:



MAAX

Stamina 60-II 60 x 36 Acrylic Alcove One-Piece Shower

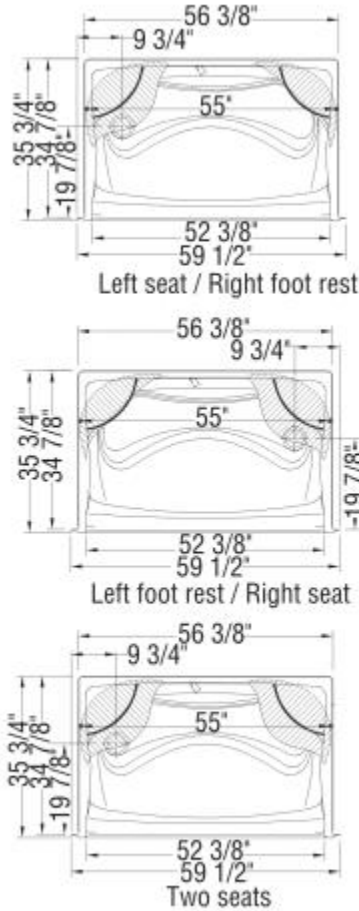
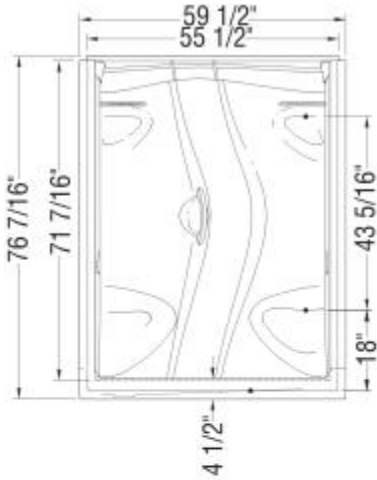
Model number:

101142-000-001-101

Dimensions: 59.5" x 35.75" x 76.375"

Installation: Alcove

Material: Acrylic



Dimensions

59 1/2 x 35 3/4 x 76 1/2 In.
(1511 x 908 x 1940 mm)

Weight

150 lbs - 68 kg

Shape

Rectangular

Pieces

1

Drain location:

Left

Right

Flat surface for the installation of the valve 8-in. diameter
All dimensions are approximate. Structure measurements
must be verified against the unit to ensure proper fit.

Project:

Contractor:

Representative:

Date:

Tel:

Notes:

MAAX