



**Iron Plains®**  
 18-1/2" rectangular drop-in/undermount bathroom sink  
**K-5400**

**Features**

- Rectangular basin
- No faucet holes; requires wall- or counter-mount faucet
- Overflow drain

**Material**

- KOHLER® enameled cast iron

**Installation**

- Drop-in or undermount

**Recommended Products/Accessories**

- K-23726 Drain treatment
- K-23725 Cast iron cleaner

**Optional Products/Accessories**

- 52047 Clamp Accessory Pack, 4 Ea.

**Included Components**

- 1193643 Basin clamps



**ADA** **CSA B651**

**Codes/Standards**






- ASME A112.19.1/CSA B45.2
- ADA
- ICC/ANSI A117.1
- CSA B651
- IAPMO Certification

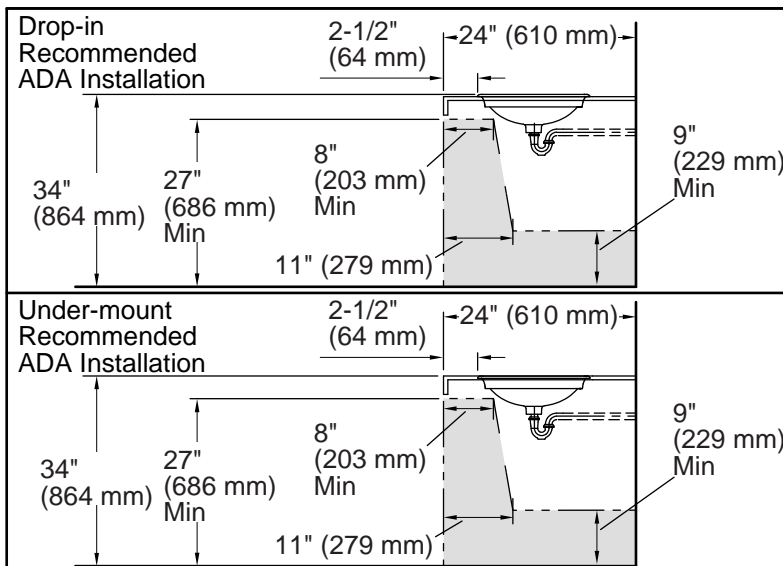
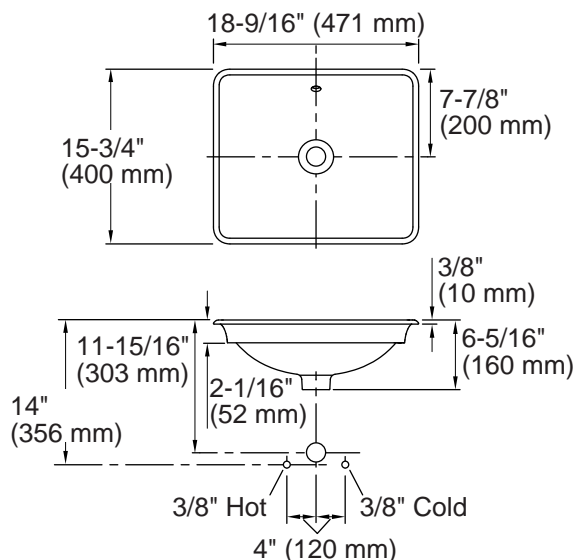
**KOHLER® Enameled Cast Iron  
 Kitchen and Bathroom Sink Lifetime  
 Limited Warranty**

See website for detailed warranty information.

**Available Colors/Finishes**

*Color tiles intended for reference only.*

Color	Code	Description
	0	White
	FF	Sea Salt™
	96	Biscuit
	NY	Dune
	7	Black Black™



### Technical Information

All product dimensions are nominal.

- Basin configuration: Single Bowl
- Bowl area (Only): Length: 17-1/2" (445 mm)  
Width: 14-3/4" (375 mm)  
Bowl depth: 4-9/16" (116 mm)  
Water depth: 2-15/16" (74 mm)
- With overflow: Yes
- Template: 1222632-7, required, included

### Notes

Install this product according to the installation instructions.

**NOTICE:** Countertop manufacturer or cutter must use the cut-out template provided with the product, or a current one provided by Kohler Co. (call 1-800-4-KOHLER). Kohler Co. is not responsible for cutout errors when the incorrect cut-out template is used.

ADA, CSA B651 compliant when installed to the specific requirements of these regulations.