

# Outlook BFS-48F AcrylX Alcove One-Piece Shower

**Model number:**

105088-000-002-105

**Dimensions:** 78.75" x 39.5" x 50.75"

**Installation:** Alcove

**Material:** AcrylX™ Applied Acrylic



## Standard Features:

- 1-piece shower without roof cap
- Fully reinforced for customized placement of grab bars and seat
- Integrated textured bottom, easy access design, center drain

## Standard Colors:



White

## Certifications

MAAX products adhere to one or more of the following certifications:



# MAAX

# Outlook BFS-48F AcrylX Alcove One-Piece Shower

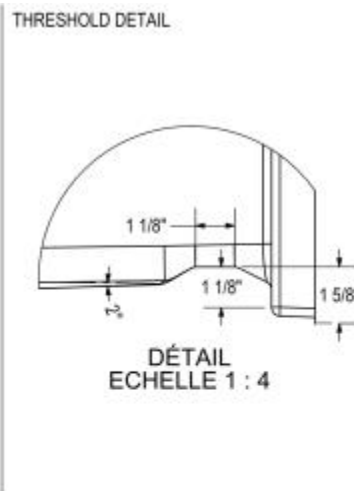
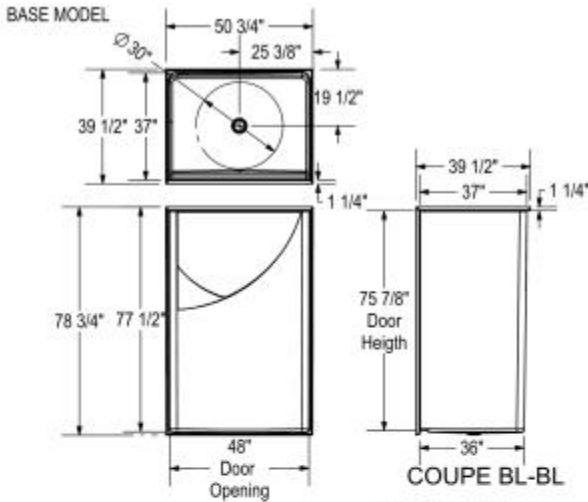
**Model number:**

105088-000-002-105

**Dimensions:** 78.75" x 39.5" x 50.75"

**Installation:** Alcove

**Material:** AcrylX™ Applied Acrylic



## Dimensions

78 3/4 x 39 1/2 x 50 3/4 In.  
(2000 x 1003 x 1289 mm)

## Weight

186 lbs - 84 kg

## Shape

Rectangular

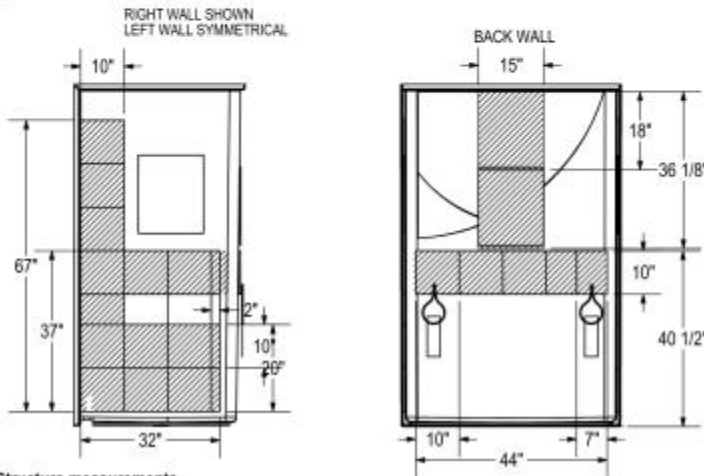
## Pieces

1

## Drain location:

Center

## REINFORCEMENT BACKING



All dimensions are approximate. Structure measurements must be verified against the unit to ensure proper fit.

Project:

Contractor:

Representative:

Date:

Tel:

Notes:

# MAAX