

Aspen-3P 60 x 31 Acrylic Alcove Three-Piece Tub Shower

Model number:

101023-000-001-004

Dimensions: 59.5" x 30.75" x 85"

Installation: Alcove

Material: Acrylic



Standard Features:

- 3-Piece sectional tub shower
- Integrated shelves
- Acrylic towel bar
- Roof cap included
- Textured bottom
- Integrated apron with access panel when equipped with a massage system

Systems:

- 10 microjets
- Aerosens

Standard Colors:



White

Certifications

MAAX products adhere to one or more of the following certifications:



MAAX

Aspen-3P 60 x 31 Acrylic Alcove Three-Piece Tub Shower

Model number:

101023-000-001-004

Dimensions: 59.5" x 30.75" x 85"

Installation: Alcove

Material: Acrylic

Dimensions

59 1/2 x 30 3/4 x 85 In.
(1511 x 781 x 2159 mm)

Water Capacity

40 gallons - 150 liters

Weight

190 lbs - 86 kg

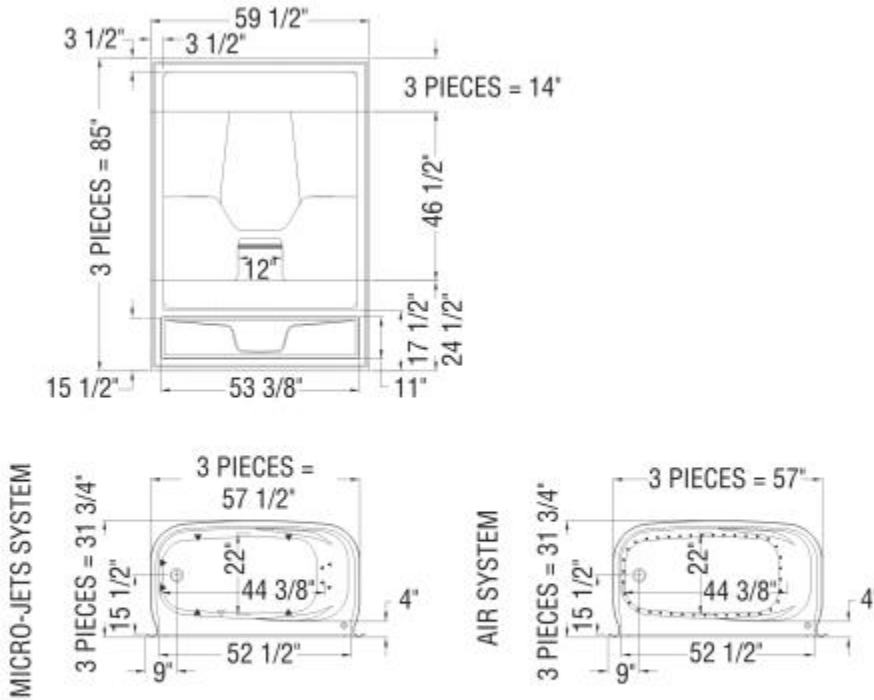
Deep Sump Height

14.5 In. - 368 mm

Drain location:

Left

Right



- (▲): Indicates whirlpool and backjets positioning
- (△): Indicates suction positioning
- (●): Indicates airjets positioning

All dimensions are approximate. Structure measurements must be verified against the unit to ensure proper fit.

Project: _____

Contractor: _____

Representative: _____

Date: _____

Tel: _____

Notes: _____

MAAX