

## DESCRIPTION

- Metal construction with various finishes identified by suffix
- Flexible supply lines with 3/8" compression fittings
- Includes push-down drain assembly
- Includes optional 3 hole deck plate (escutcheon)

## OPERATION

- Lever style handle
- Temperature controlled by 100° arc of handle travel

## FLOW

- Water usage is limited to these maximum flow rates as indicated by the corresponding product markings
- 1.2 gpm max (4.5L/min) at 60 psi

## CARTRIDGE

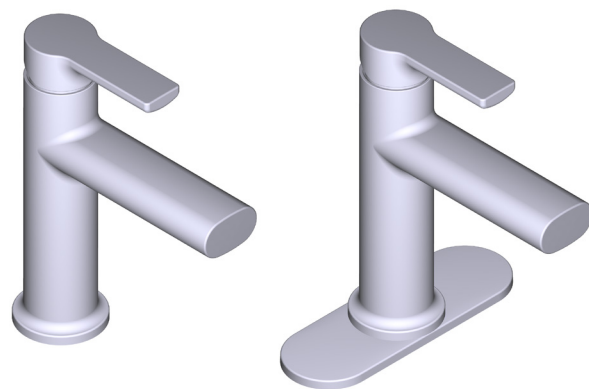
- 1255™ Duralast™ cartridge
- Nonmetallic/nonferrous and ceramic material

## STANDARDS

- Third party certified to WaterSense®, ASME A112.18.1/CSA B125.1, and all applicable requirements referenced therein
- Certified to NSF 61/9 & 372
- Products marked with 1.2 gpm are compliant with California water efficiency regulations
- Complies with California Proposition 65 and with the Federal Safe Drinking Water Act
- ADA ♿ for lever handle

## WARRANTY

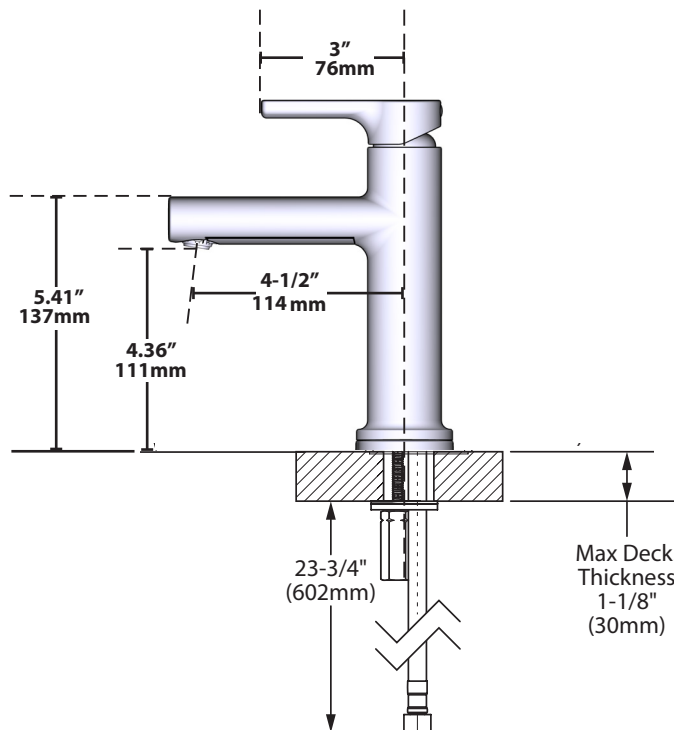
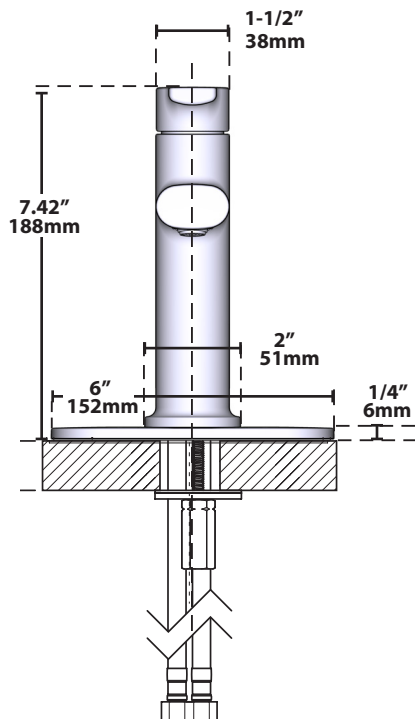
- Lifetime limited warranty against leaks, drips and finish defects to the original homeowner
  - 10 year limited warranty when used in a multifamily installation
  - 5 year limited warranty when used in a commercial installation
- Visit [www.moen.com/support](http://www.moen.com/support) for complete details and limitations



**MEENA™**  
Single-Handle Lavatory Faucet

**Model:** 84794  
(includes deck plate)

**NOTE:** THIS FAUCET IS DESIGNED TO BE INSTALLED THROUGH 1 OR 3 HOLE, 1-1/4" MIN. DIA.



## CRITICAL DIMENSIONS

(DO NOT SCALE)