

## DESCRIPTION

- Metal construction with Spot Resist™ Stainless finish
- Pressure balancing cycle valve design with an adjustable temperature limit stop
- 1/2" IPS/CC connections
- Includes valve, tub spout, showerhead, arm, flange, handle, and escutcheon

## OPERATION

- Lever style handle
- Handle operates counterclockwise through a 270° arc with off at 6 o'clock and maximum hot at the 9 o'clock position. Shut off in clockwise direction
- Adjustable temperature limit stop to control maximum hot water temperature
- Pressure balancing mechanism maintains selected discharge temperature to  $\pm 2^\circ$

## FLOW

- Showerhead is limited to 1.75 gpm (6.6 L/min)

## CARTRIDGE

- 1222 cartridge design
- Nonmetallic/nonferrous and stainless steel materials
- Accommodates back to back installations

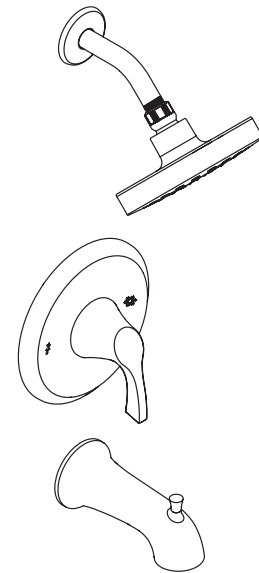
## STANDARDS

- Third party certified to meet ASME A112.18.1/CSA B-125.1 and all applicable requirements referenced therein
- Compliant with California water efficiency regulations
- ADA ♿ for lever handle
- Meets Watersense® criteria
- Meets New York City Law No. 57

## WARRANTY

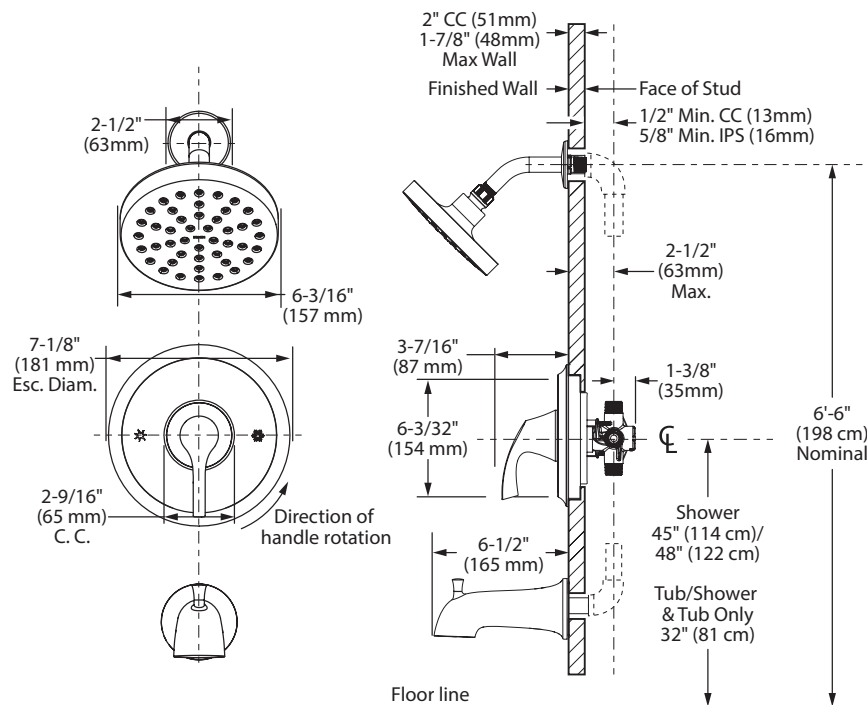
- Lifetime limited warranty against leaks, drips and finish defects to the original homeowner
- 10 year limited warranty when used in a multifamily installation
- 5 year limited warranty when used in a commercial installation

Visit [www.moen.com/support](http://www.moen.com/support) for complete details and limitations



## KOREK™ POSI-TEMP® Single-Handle Tub/Shower Valve

Models: 82466 series



## CRITICAL DIMENSIONS

(DO NOT SCALE)

