

# CLAY ELONGATED BOWL

4.2LPF / 1.1GPF

- 4765BOX Top Inlet
- 4765BOU\* Rear Inlet (Special Order Only, See Price Book for Details)

## PRODUCT SPECS

- High efficiency flushometer valve bowl
- 4.2Lpf / 1.1Gpf
- Will also function with 4.8Lpf / 1.28Gpf flushometer valve
- Elongated bowl
- Vitreous china
- 16½" Plus Height Bowl
- 10" (254mm) Rough-in
- 2" Fully glazed ball pass trapway
- Siphon jet flush action
- 1½" NPT Top inlet spud or back inlet spud
- Water surface: (220mm x 140mm) 8⅝" x 5½"
- Toilet seat and flushometer valve not included

## DIMENSIONS

370mm W x 710mm D x 420mm H  
 14½" W x 28" D x 16½" H

## COMPLIANCE CERTIFICATIONS

- Meets or exceeds the following:
- IAPMO cUPC
  - ASME A112.19.2 / CSA B45.1
  - ADA Guidelines & ANSI A117.1
  - MaP tested 800g (Top Inlet)
  - MaP tested 600g (Rear Inlet)
  - US EPA WaterSense Version 1.0 Specification  
*(To comply Water Sense Certification. Water Sense certified flushometer valve in 4.2Lpf/1.1Gpf should be used)*
  - IAPMO Green, Calgreen, and LEED Compliant
  - NBC and OBC Section 3.8 Barrier Free design and CSA B651 Standard.

## SHIPPING

Cube 4.55  
 GW 50 lbs



## TO BE SPECIFIED

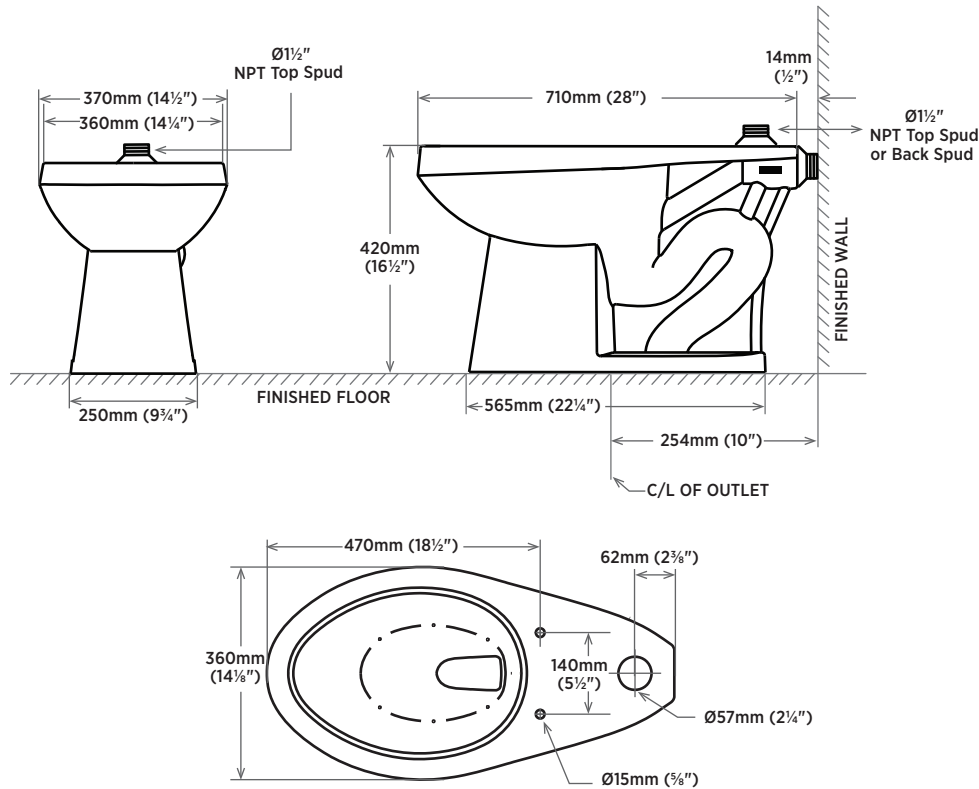
Colour:  
 ■ Soft White

## NOTES:

This toilet is designed to rough-in at a minimum dimension of 254mm (10") from finished wall to C/L of outlet. Flush valve not included with fixture and must be ordered separately.

Important: Dimensions of fixtures are nominal and may vary within the range of tolerances established by ASME standard A112.19.2. These measurements are subject to change or cancellation. No responsibility is assumed for use of superseded or voided pages.

Products are designed to comply ADA/ANSI A117.1 and NBC, OBC, CSA B651 accessibility Standard. It shall be the responsibility of the installer to comply with the local disability codes and standards prior to installing the product. Bone and Biscuit available through Direct Import (CIF) only.



REVISED MAY 2021