

IoT-Enabled ECOPOWER® Ultra High-Efficiency Urinal Flush Valve 0.125 GPF

FEATURES

- 0.125 GPF
- Wireless Communication
- Connects seamlessly with Smart Monitoring System and through an API to facilities monitoring platforms
- Service agreement is required to enable IoT or Smart Features
- ECOPOWER flush valve's operation is independent of its IoT capability
- Some of the IoT-enabled Smart Features include: failure detection, usage, water consumption, and battery/capacitor charge
- Self-powered hydroelectric flush valve system
- No minimum daily usage requirement
- 4" x 4" brushed stainless steel cover plate with solid bronze valve body
- Neutral rough-in and adjustable tail piece connection
- Manual flush override
- Smart sensor with self-adjusting detection range
- 6-second detection time to prevent ghost flushing
- Protects trap seal with a maintenance flush if not used in a 12 hr period

COLORS/FINISHES

- #SS Stainless Steel

OPTIONAL ACCESSORIES

- Z-4000-J - Adapter for ground joint angle stops

MODELS

- TEU3UAI2#SS**
TEU3UAI#SS (0.125 gpf flush valve)
THP3395 (IoT Communication Card)
- TEU3UAI211#SS**
TEU3UAI#SS (0.125 gpf flush valve)
VB1311R#RB (3/4" VB tube, 3/4" angle stop, back spud)
THP3395 (IoT Communication Card)
- TEU3UAI212#SS**
TEU3UAI#SS (0.125 gpf flush valve)
VB0912R#RB (3/4" VB tube, 3/4" angle stop, top spud)
THP3395 (IoT Communication Card)
- TEU3UAI4#SS**
TEU3UAI#SS (0.125 gpf flush valve)
THP3566 (IoT Communication Card)
- TEU3UAI411#SS**
TEU3UAI#SS (0.125 gpf flush valve)
VB1311R#RB (3/4" VB tube, 3/4" angle stop, back spud)
THP3566 (IoT Communication Card)
- TEU3UAI412#SS**
TEU3UAI#SS (0.125 gpf flush valve)
VB0912R#RB (3/4" VB tube, 3/4" angle stop, top spud)
THP3566 (IoT Communication Card)



ECOPOWER



Auto Flush

PRODUCT SPECIFICATION

TOTO® Model No. _____ Product shall be 0.125 GPF. Product shall be an automatic infrared sensor activated, urinal flush valve. Product shall use hydropower, ECOPOWER flush valve system. Product shall have 4" x 4" cover plate with brushed stainless steel finish and solid bronze valve body. Product shall have neutral rough-in and adjustable tail piece connection. Product shall have smart sensor with self-adjusting detection range. Product shall have manual flush override. Product shall have 6-second detection time to prevent ghost flushing. Product shall have solenoid with self-cleaning mechanism.

CODES/STANDARDS

- Meets or exceeds ASSE 1037/ASME A112.1037/CSA B125.37
- FCC compliant to Part 15
- Certifications: IAPMO(cUPC), EPA WaterSense, State of Massachusetts, and others
- Code Compliance: UPC, IPC, NSPC, NPC Canada, and others
- Complies with CA Title 20 regulations and CalGreen when used with a 0.125 GPF wall mount urinal
- ADA compliant
- Complies with CA Prop 65 warning requirements



TEU3UAI Series

IoT-Enabled ECOPOWER® Ultra High-Efficiency Urinal Flush Valve 0.125 GPF

SPECIFICATIONS

Material	Bronze casting
Power supply	ECOPOWER
Sensor detection time	Factory setting at six (6) seconds minimum
Sensor detection range	Self-adjusting to environment
Discharge quantity	Preset to 0.125 GPF / 0.47 LPF
Operating temperature	32-104°F (0-40°C)
Water source	Tap water (Municipal Supply Only)
Water supply pressure	Min: 15 psi (flowing) Max: 125 psi (static)
Water supply connection	3/4" NPT
Warranty	Three year limited

*Water pressures over 80 psi are not recommended for most plumbing fixtures. Check your local plumbing code for details.

INSTALLATION NOTES

For commercial applications only.

Warning: Failure to properly adjust angle stop to the appropriate level can potentially cause property damage. For detailed installation instructions, please refer to the installation manual.

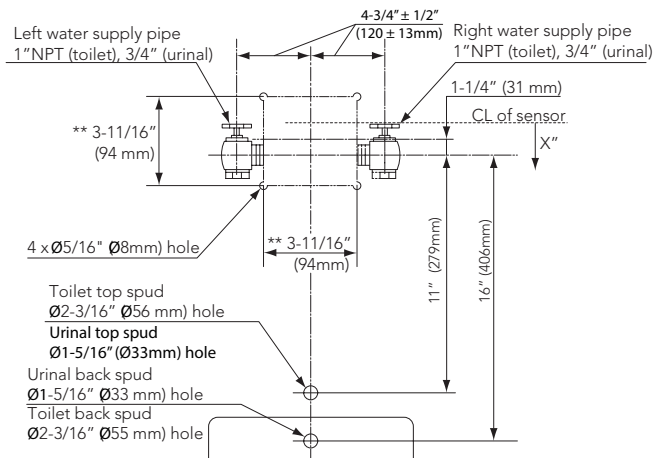
Max flow rate to be used with TEU3UAI _____: 0.125 GPF

Confirm with local codes and standards for floor drain requirement. Adjust control stop for proper flow rate to the fixture.

The flush valve must remain accessible for maintenance and service purposes. An access panel at least 12" x 12" or a walk-in chase is required. Do not position ADA grab bars in front of the sensor. The flush valve requires a minimum of 7" (178mm) depth in the wall.

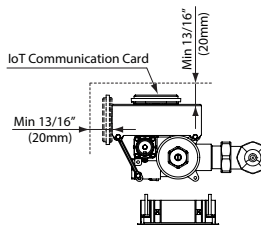
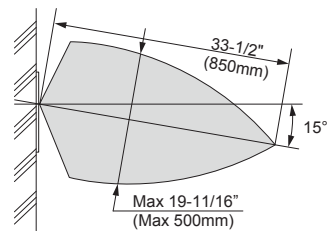
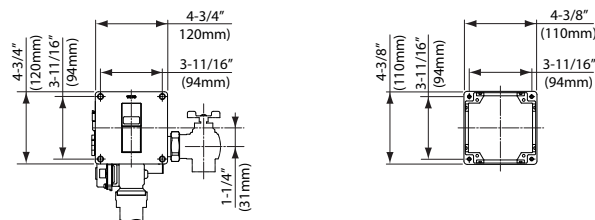
A minimum of 13/16" (20mm) clearance around the controller case is required for IoT communication card installation. Please refer to the diagram below.

DIAGRAM



* X, ± = At least 5" clearance from sensor to tip of toilet seat up position or to top of grab bar is required to avoid false detection.

** Opening in wall



TOTO

These dimensions and specifications are subject to change without notice