

B3Round 4834 Acrylic Configurable Shower Base

Model number:

410002-504-001-000

Dimensions: 47.875" x 33.875" x 3"

Installation: Alcove or Corner

Material: Acrylic



MADE IN CANADA 

Standard Colors:



White

Standard Features:

- Model Size : 47 7/8 L in. X 33 7/8 W in. X 3 H in.
- Acrylic rectangular shower base with round drain
- Low 3 in. threshold base allowing an easy and safe access
- Certain configurations available with Stabili-T anti-slip bottom meeting ADA, ANSI or CSA

- Compatible with most glue-up Shower walls and ceramic tiles

Product characteristics:

- Easy Installation
- Low Threshold
- Bestseller

Code Compliant:

ADA
ANSI
CSA

Certifications

MAAX products adhere to one or more of the following certifications:



MAAX

B3Round 4834 Acrylic Configurable Shower Base

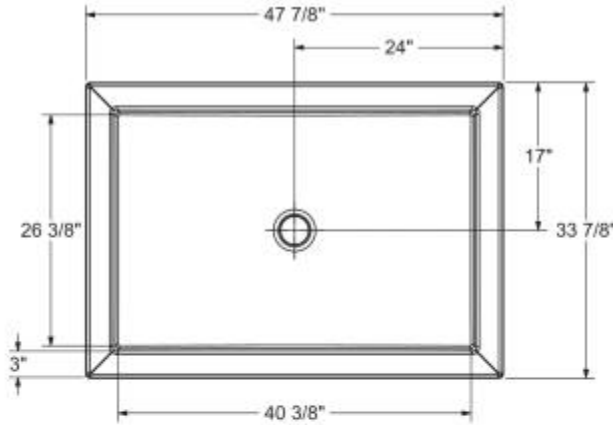
Model number:

410002-504-001-000

Dimensions: 47.875" x 33.875" x 3"

Installation: Alcove or Corner

Material: Acrylic



Dimensions

48 x 34 x 3 In.
(1216 x 860 x 76 mm)

Weight

44 lbs - 20 kg

Shape

Rectangular

Drain location:

Center

This technical drawing is universal for every 4834 configuration.

Integrated tiling flange : 1" height x 1/4" thick (not shown)
Tiling flange position is determined by chosen configuration.

All dimensions are approximate. Structure measurements must be verified against the unit to ensure proper fit.

Project:

Contractor:

Representative:

Date:

Tel:

Notes:

MAAX