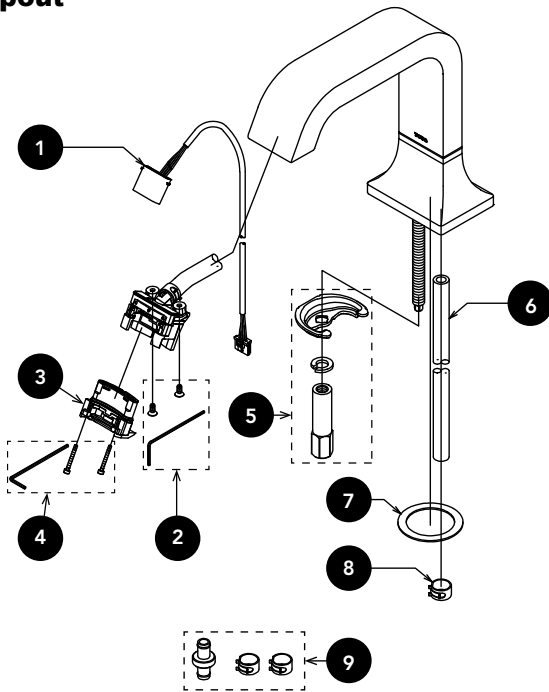


T21S* Series

Touchless Faucet, GC Spout ECOPOWER® or AC System

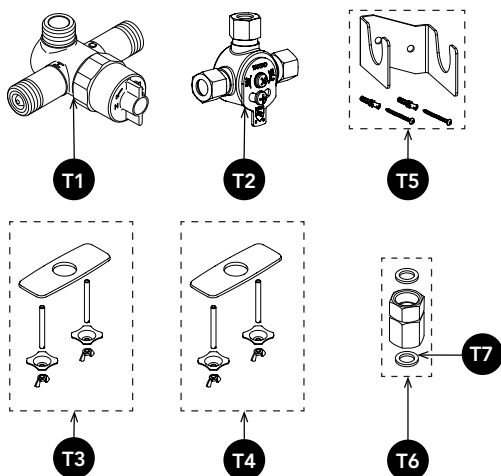
| Product Number Kit# | Spout# (Design, Mode) | Controller# (Type, Mode) |
|------------------------|---|---|
| T21S32E(i2)#\$\$ | TLE21001U2#\$\$ (GC, On-Demand, 20sec) | TLE03501U2(i2) (ECOPOWER controller 0.12gpc, On-Demand, 20sec) |
| T21S51E(i2)#\$\$ | TLE21006U1#\$\$ (GC, On-Demand, 10sec) | TLE03502U1(i2) (ECOPOWER controller 0.08gpc, On-Demand, 10sec) |
| T21S53E(i2)#\$\$ | TLE21006U3#\$\$ (GC, Continuous, 20sec) | TLE03502U3(i2) (ECOPOWER controller 0.17gpc, Continuous, 20sec) |
| T21S32A#\$\$ | TLE21001U2#\$\$ (GC, On-Demand, 20sec) | TLE01501U (AC controller 0.35gpm) |
| T21S51A#\$\$ | TLE21006U1#\$\$ (GC, On-Demand, 10sec) | TLE01502U (AC controller 0.5gpm) |
| T21S53A#\$\$ | TLE21006U3#\$\$ (GC, Continuous, 20sec) | TLE01502U (AC controller 0.5gpm) |

Spout



| Item | Part | Description |
|------|---------|--|
| 1 | THP3406 | Sensor, Flat Horizontal, 0.35gpm/ On-Demand, 20sec |
| | THP3407 | Sensor, Flat Horizontal, 0.5gpm/ On-Demand, 10sec |
| | THP3408 | Sensor, Flat Horizontal, 0.5gpm/ Continuous, 20sec |
| 2 | THP3423 | Flat head screw (2pcs), w/ wrench |
| 3 | THP3414 | Soft Flow Nozzle, 0.35gpm |
| | THP3415 | Soft Flow Nozzle, 0.5gpm |
| 4 | THP3422 | Hex head cap bolt (2pcs), w/ wrench |
| 5 | THP3427 | Spout Mounting Kit |
| 6 | THP3434 | Hose, 1100mm |
| 7 | THP3424 | Gasket |
| 8 | THP3153 | Hose Clip (1pc) |
| 9 | THP3435 | Hose Joint (1pc) w/ Hose Clip (2pcs) |

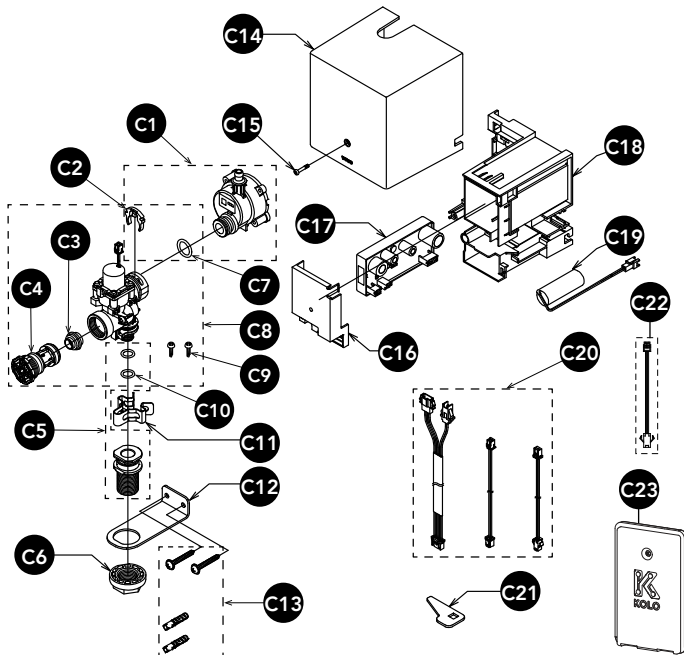
Thermostatic Mixing Valve & Accessories



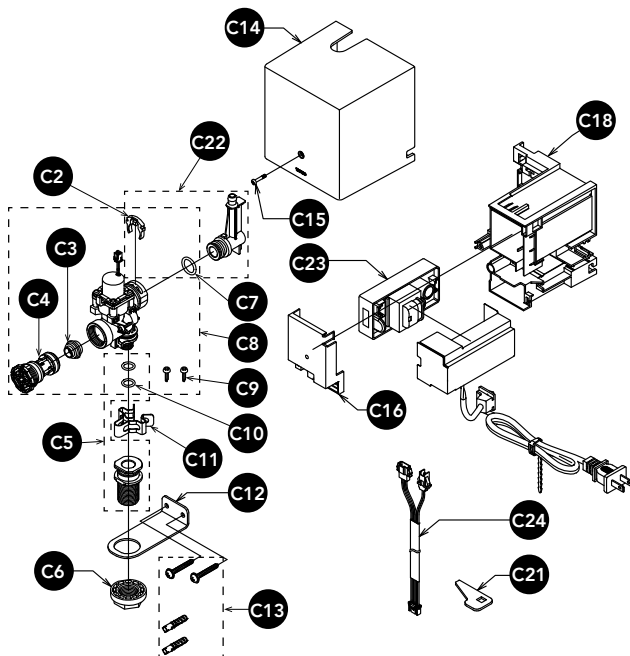
| Item | Part | Description |
|------|------------|----------------------------|
| T1 | TLE05701U | Thermostatic Mixing Valve |
| T2 | TLM10 | Hot/Cold Mixing Tee |
| T3 | THP5158#CP | Cover Plate - 4" |
| T4 | THP5159#CP | Cover Plate - 8" |
| T5 | THP5084 | TLE05701U Mounting Bracket |
| T6 | THP3237 | TLE05701U Swivel Coupling |
| T7 | THP3243 | Gasket (2pcs) |

Touchless Faucet, GC Spout ECOPOWER® or AC System

ECOPOWER Controller



AC Controller



| Item | Part | Description |
|------|---------|---|
| C1 | THP3454 | Generator, 0.35gpm |
| | THP3455 | Generator, 0.5gpm |
| C2 | THP3470 | Snap Ring |
| C3 | THP3450 | Flow Regulator, 0.35gpm |
| | THP3451 | Flow Regulator, 0.5gpm |
| C4 | THP3453 | Filter Unit |
| C5 | THP3465 | Adapter w/ O-Ring (2pcs) |
| C6 | THP3466 | Mounting Nut |
| C7 | THP3132 | O-Ring (1pc) |
| C8 | THP3446 | Solenoid Valve Unit, 0.35gpm |
| | THP3447 | Solenoid Valve Unit, 0.5gpm |
| C9 | THP3467 | Screw (1pc) |
| C10 | THP3468 | O-Ring (1pc) |
| C11 | THP3464 | Quick Fastener |
| C12 | THP3461 | Mounting Bracket |
| C13 | THP3463 | Screw and Anchor set (2pcs) |
| C14 | THP3459 | Cover |
| | THP3516 | Cover, for IoT Controller |
| C15 | THP3099 | Cover Screw |
| C16 | THP3473 | Case Cover |
| C17 | THP3441 | Controller, ECOPOWER |
| | THP3558 | On-Demand 20 sec IoT Controller, ECOPOWER |
| | THP3442 | On-Demand 20 sec Controller, ECOPOWER |
| | THP3514 | On-Demand 10 sec IoT Controller, ECOPOWER |
| | THP3443 | On-Demand 10 sec Controller, ECOPOWER |
| | THP3559 | Continuous 20 sec IoT Controller, ECOPOWER |
| | | Continuous 20 sec Case |
| C18 | THP3472 | Case |
| C19 | THP3053 | Backup Battery (Lithium) (1pc) |
| C20 | THP3476 | Extension Harness, ECOPOWER |
| C21 | THP3471 | Key |
| C22 | THP3515 | IoT wire harness |
| C23 | | IoT communication card, please contact TOTO sales representative or technical support for more information. |

| Item | Part | Description |
|------|---------|------------------------------|
| C2 | THP3470 | Snap Ring |
| C3 | THP3450 | Flow Regulator, 0.35gpm |
| | THP3451 | Flow Regulator, 0.5gpm |
| C4 | THP3453 | Filter Unit |
| C5 | THP3465 | Adapter w/ O-Ring (2pcs) |
| C6 | THP3466 | Mounting Nut |
| C7 | THP3132 | O-Ring (1pc) |
| C8 | THP3446 | Solenoid Valve Unit, 0.35gpm |
| | THP3447 | Solenoid Valve Unit, 0.5gpm |
| C9 | THP3467 | Screw (1pc) |
| C10 | THP3468 | O-Ring (1pc) |
| C11 | THP3464 | Quick Fastener |
| C12 | THP3461 | Mounting Bracket |
| C13 | THP3463 | Screw and Anchor set (2pcs) |
| C14 | THP3459 | Cover |
| C15 | THP3099 | Screw for Cover |
| C16 | THP3473 | Case Cover |
| C18 | THP3472 | Case |
| C21 | THP3471 | Key |
| C22 | THP3457 | Hose Joint Unit |
| C23 | THP3444 | Controller, AC |
| C24 | THP3477 | Extension Harness, AC |