

MS448124CEMFGN, MW4483046CEMFGN(A), MW4483056CEMFGN(A), MW4483074CEMFGN & MW4483084CEMFGN

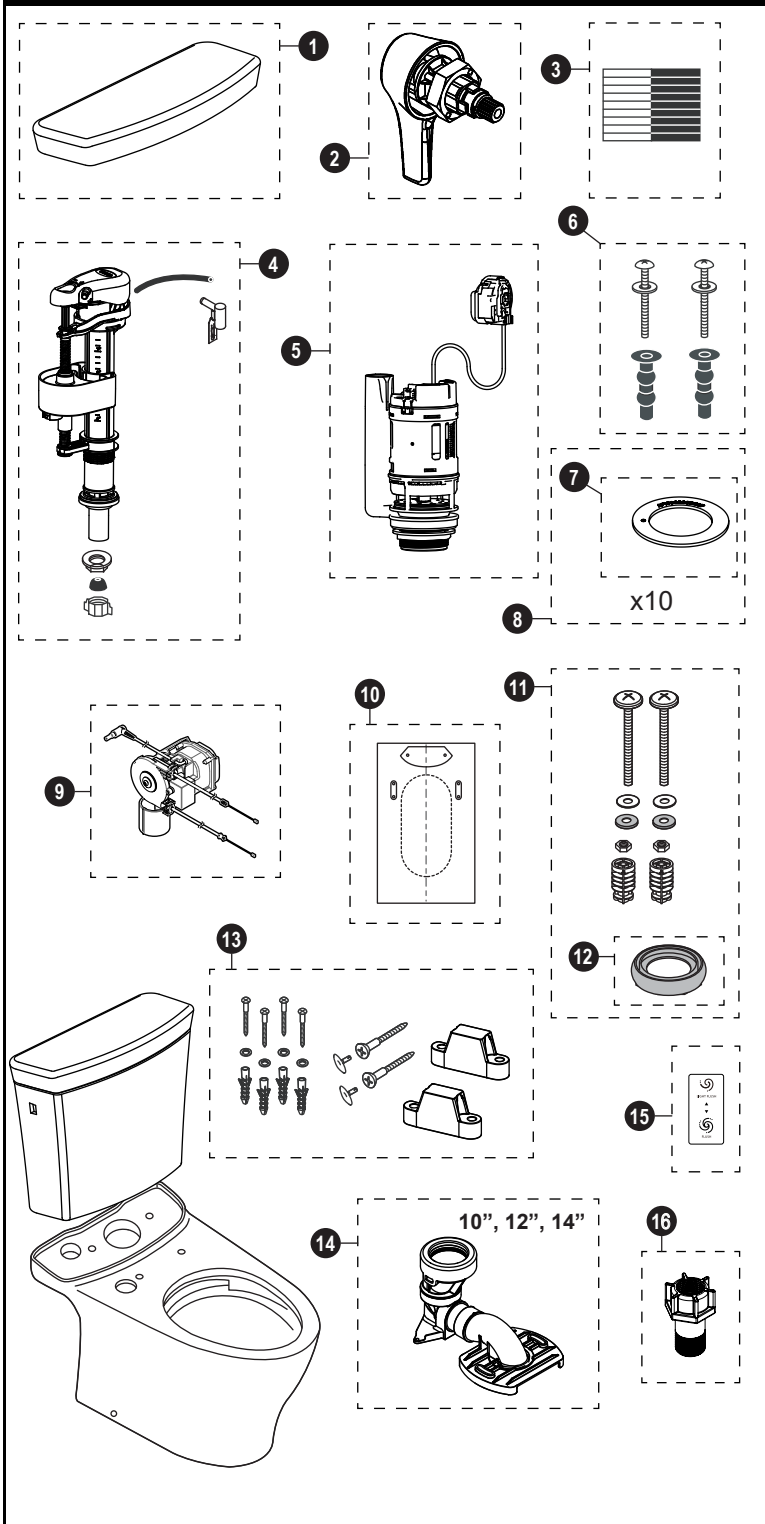
MS448124CEMFGN
CT446CEFGNT40
ST448EMNA
SS124

MW4483046CEMFGN(A)
CT446CEFGNT40
ST448EMNA
SW3046AT40

MW4483056CEMFGN(A)
CT446CEFGNT40
ST448EMNA
SW3056AT40

MW4483074CEMFGN
CT446CEFGNT40
ST448EMNA
SW3074AT40
MW4483084CEMFGN
CT446CEFGNT40
ST448EMNA
SW3084AT40

Aquia IV® Arc
1.28 & 0.9 Gpf Toilet, Elongated, Universal Height
DYNAMAX TORNADO FLUSH®, Unifit Rough-in,
(CEFIONTECT® & Auto Flush compatible)



Item	Part	Description
1	TCU448CR#01	Tank Lid - Cotton
2	THU806#CP-A	Left Hand Trip Lever - Chrome Plated
3	THU107	Velcro Tape
4	TSU803.13-A	Fill Valve
5	THU837-A	Flush Valve Assembly, 1.28gpf
6	THU651N	Seat Top Mounting Hardware
7	9BU112E-A	Seal Gasket for Flush Valve (1 piece)
8	THU744	Seal Gasket for Flush Valve (10pieces)
9	THU765	Auto Flush unit for Dual Flush
10	0GU181-1-A	12" Unifit Rough-in Template
	0GU182-1-A	10" & 14" Unifit Rough-in Template
11	THU741-A	Tank to Bowl Mounting Hardware
12	9BU109E-A	Tank to Bowl Gasket
13	THU742#01-A	Toilet Mounting Hardware
14	TSU48.10	Unifit Rough-in 10"
	TSU48.12	Unifit Rough-in 12"
	TSU48.14	Unifit Rough-in 14"
15	0EU148-A	Dual Flush Sticker
16	9AU321-A	Fill Valve extension adapter

Note:

Product Number Explanations

Two-Piece Toilet	Tank	Bowl
(MS) Toilet & Seat combo	(ST) Tank	(CT) Skirted Bowl
(MW) Toilet & Washlet combo	(448) Tank Model	(446) Bowl Model
(N) New Water Spot	(E) 1.28 gpf / 4.8 Lpf	(C) DYNAMAX TORNADO FLUSH®
	(M) Dual Flush	(F) Universal Height
	(A) Auto Flush compatible	(G) CEFIONTECT®
	(N) New Water Spot	(T40) WASHLET®+
		(N) New Water Spot

Actual Product may vary slightly from illustration.