

# TOTO®

# CWT4283046CMFG

## EP WASHLET®+ S500e Wall-Hung Toilet, 1.28 GPF & 0.9 GPF

### FEATURES

#### **EP Bowl**

- DYNAMAX TORNADO FLUSH® system, high efficiency (1.28 GPF/0.9 GPF)
- CEFIONTECT® ceramic glaze - prevents debris, mold from sticking to ceramic surfaces
- Universal Height
- Elongated shape front bowl

#### **S500e WASHLET**

- Elongated Contemporary WASHLET
- Mounting hardware included
- Quick release hinges for easier cleaning

#### **DuoFit In-Wall Tank**

- Dual flushing system, high-efficiency (1.28 GPF/4.8 LPF & 0.9 GPF/3.4 LPF) Avg. flush 1.03 GPF
- Adjustable 15"-19" mounting height
- Saves up to 9" of floor space compared to standard floor-mounted toilet
- Supports up to 880lbs
- Commercial 2" x 6" or optional residential installation with 2" x 4" wall studs with waste outlet kit
- Copper supply line

#### **Push Plate**

- YT930#MS  
Matte Silver Basic Round Push Plate

### KIT COMPONENTS

- CT428CFGT40#01  
EP Wall-Hung Toilet
- WT173M  
In-Wall Tank System (Copper Pipe)
- SW3046AT40#01  
S500e WASHLET  
Elongated WASHLET
- THU805  
WASHLET connection kit
- YT930#MS  
Matte Silver Basic Round Push Plate

#### **Available Options**

- YT920#WH - White Matte Basic Square Push Plate
- YT920#MS - Matte Silver Basic Square Push Plate
- YT930#WH - White Matte Basic Round Push Plate
- YT970#SS - Stainless Steel Wall Round Push Plate
- YT980#SS - Stainless Steel Wall Round Push Plate



 **DYNAMAX  
TORNADO FLUSH**

 **Skirted Design**

 **CEFIONTECT**

 **EWATER+**

### COLORS/FINISHES

- Standard  
#01 Cotton

### CODES/STANDARDS

- Meets or exceeds:
  - Bowl: ASME A112.19.2/CSA B45.1, ASME A112.19.14
  - Carrier System: ASME A112.6.2
  - Tank Trim: IAPMO PS50, CSA B125.3, ASSE1002
- Certifications: IAPMO (cUPC), EPA WaterSense State of Massachusetts, City of Los Angeles and others
- Legislative compliance: California AB715, California Green Building Code, City of Los Angeles Water Efficiency Ordinance
- Code Compliance: UPC, IPC, NSPC, NPC Canada, and others
- Complies with CA Prop 65 warning requirements



# CWT4283046CMFG

## EP WASHLET®+ S500e Wall-Hung Toilet, 1.28GPF & 0.9GPF

### PRODUCT SPECIFICATIONS

	CT428CFG T40	S500e	WT173M
Water Use	1.28 GPF & 0.9 GPF (4.8 LPF & 3.4 LPF)		1.28 GPF & 0.9 GPF (4.8 LPF & 3.4 LPF)
Flush System	DYNAMAX TORNADO FLUSH®		Dual flushing
Min. Water Pressure	8 psi (static)		8 psi (static)
Max. Water Pressure	108.75 psi (static)		108.75 psi (static)
Water Surface	5-1/2" X 4-1/8"		
Trap Diameter	2-1/8"		
Installation Height	15" to 19"		15" to 19"
Trap Seal	2-1/8"		
Warranty	One Year Limited Warranty	One Year Limited Warranty	One Year Limited Warranty
Material	Vitreous China	Plastic	Various
Shipping Weight	68 lbs	9 lbs	38 lbs
Shipping Dimensions	22" L x 14.6" W x 16.5 H	20-5/8" L x 19-1/8" W x 3-1/4" H	48" L x 26-1/2" W x 6" H

#### CT428CFG T40

This universal height, high efficiency DYNAMAX TORNADO flushing system toilet shall be 1.28 GPF & 0.9 GPF. Toilet shall have CEFIONTECT® ceramic glaze. Toilet shall be mounted to in-wall tank system, D-shape front bowl and wall-mounted push-button type trip lever. Toilet shall be TOTO Model CT428CFG T40.

#### S500e

Elongated WASHLET

#### YT930#MS

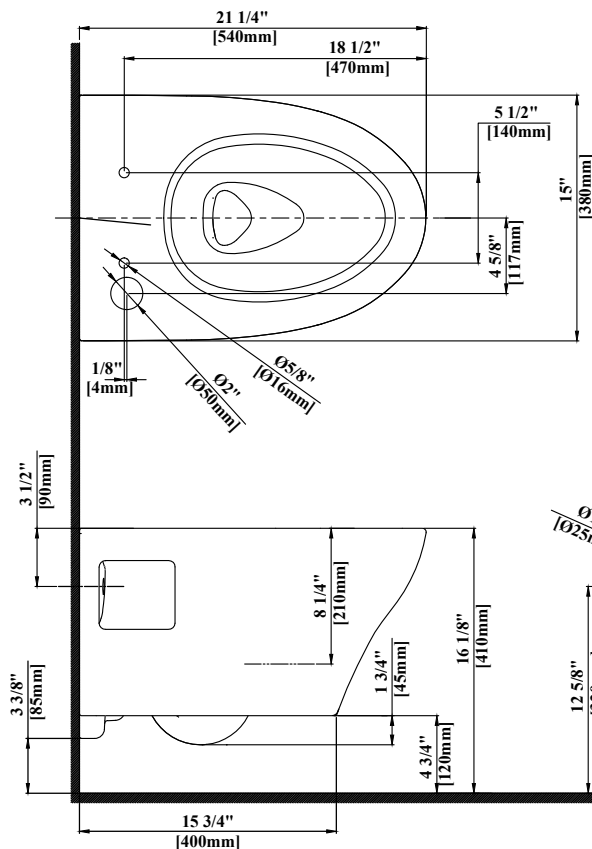
Dual Button Push Plate  
#MS Matte Silver

#### WT173M

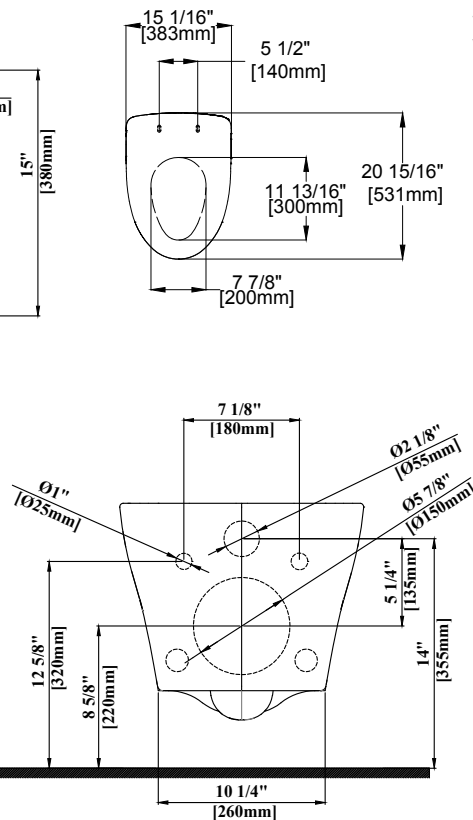
This universal height, high-efficiency, dual flushing, in-wall tank system toilet shall be 1.28 GPF & 0.9 GPF. Requires TOTO toilet model CT428CFG. In-Wall tank system shall be TOTO Model WT173M.

### PRODUCT DIMENSIONS

#### CT428CFG T40



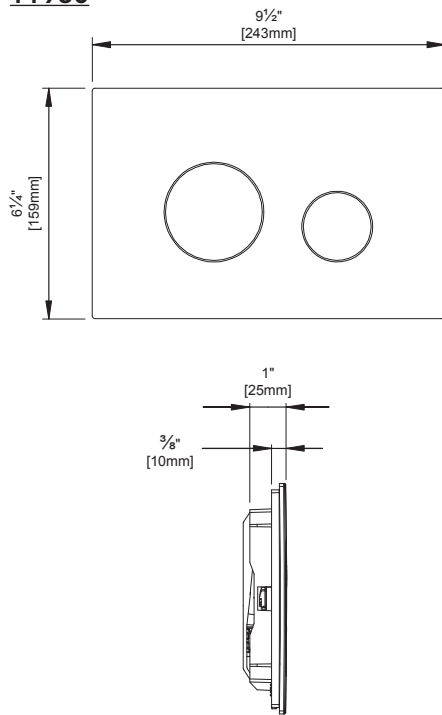
#### S500e



# CWT4283046CMFG

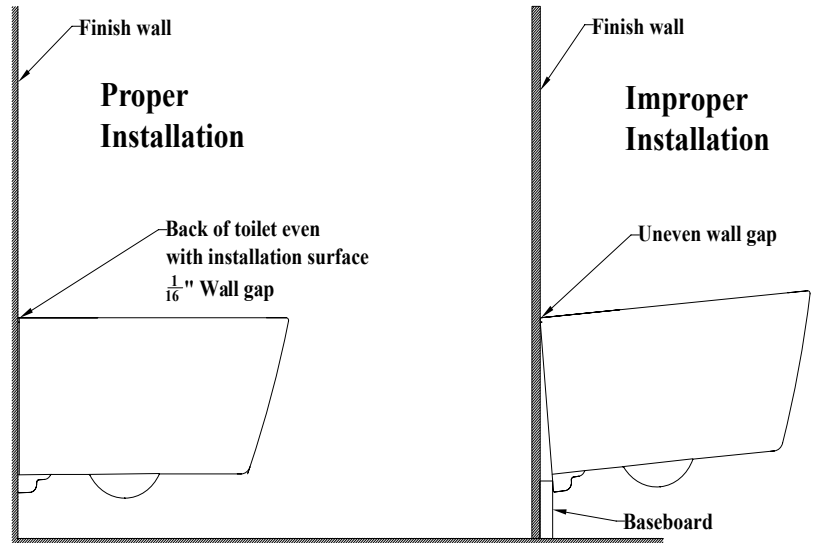
## EP WASHLET®+ S500e Wall-Hung Toilet, 1.28GPF & 0.9GPF

### YT930



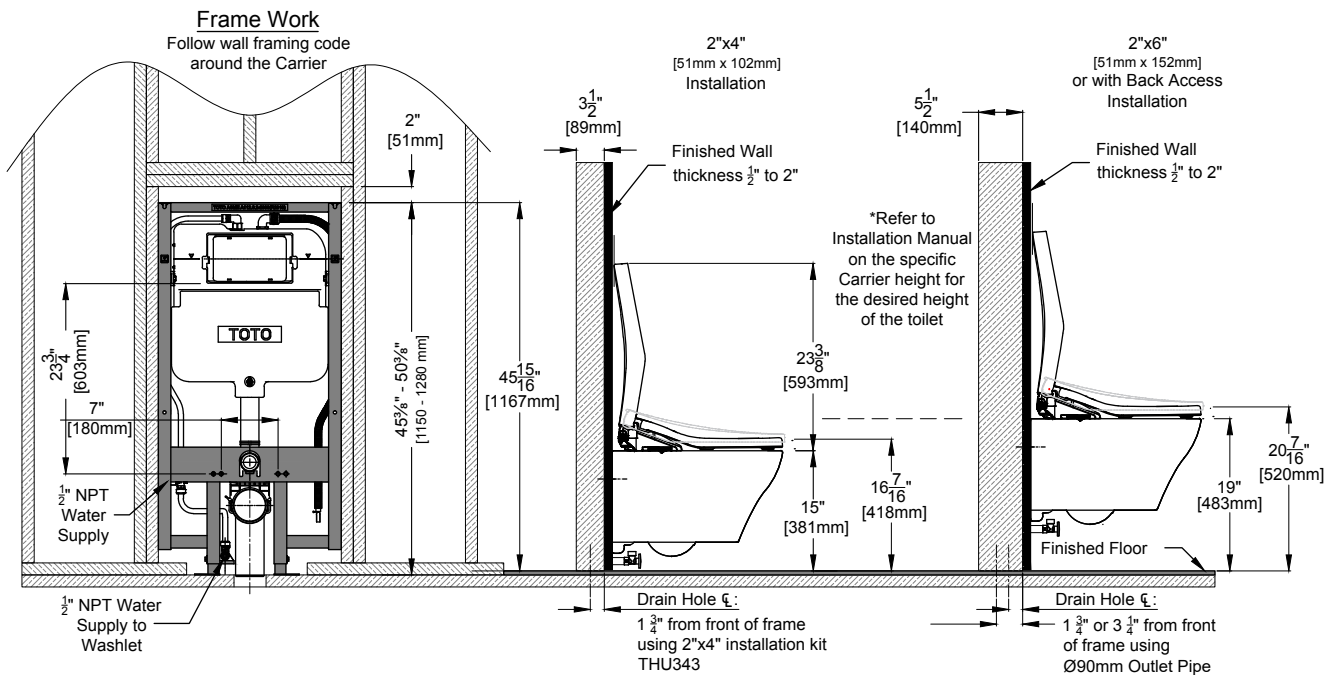
### INSTALLATION NOTES

- Adequate structural bracing is required
- Framing support should be capable of supporting 880 lbs load without damage to the wall. See installation manual for more details.



### PRODUCT DIMENSIONS

### WT173M



**TOTO**

These dimensions and specifications are subject to change without notice