



Bellwether®
66" x 32" alcove bath, left drain
K-847

Features

- Clean lines and streamlined style add contemporary appeal to any bathroom
- 16-1/2" apron height for easy entry and exit
- Standard size simplifies installation in remodels
- Safeguard® slip-resistant surface provides excellent traction underfoot
- Wide ledges for extra storage space

Material

- KOHLER® enameled cast iron

Installation

- Left drain
- Alcove

Recommended Products/Accessories

- K-23726 Drain treatment
- K-23725 Cast iron cleaner
- K-31796 Above-the-floor bath drain kit
- K-31798 Bath drain kit



ADA

Codes/Standards

- ASME A112.19.1/CSA B45.2
- ASTM F462
- ADA
- ICC/ANSI A117.1
- IAPMO Certification



KOHLER® Enameled Cast Iron Bath and Shower Base Lifetime Limited Warranty

See website for detailed warranty information.

Available Colors/Finishes

Color tiles intended for reference only.

Color Code Description

	0	White
	96	Biscuit

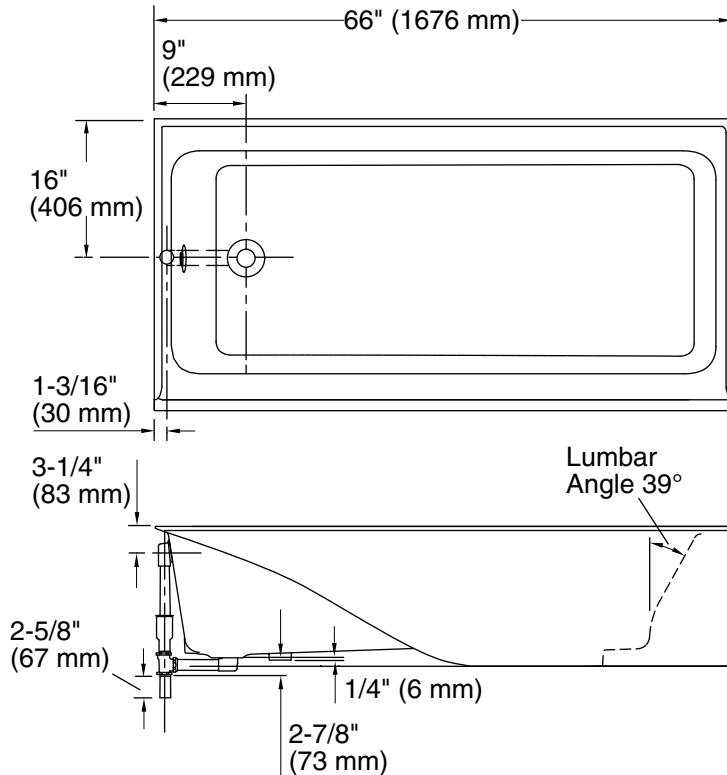
1-800-4KOHLER (1-800-456-4537)

Kohler Co. reserves the right to make revisions without notice to product specifications.

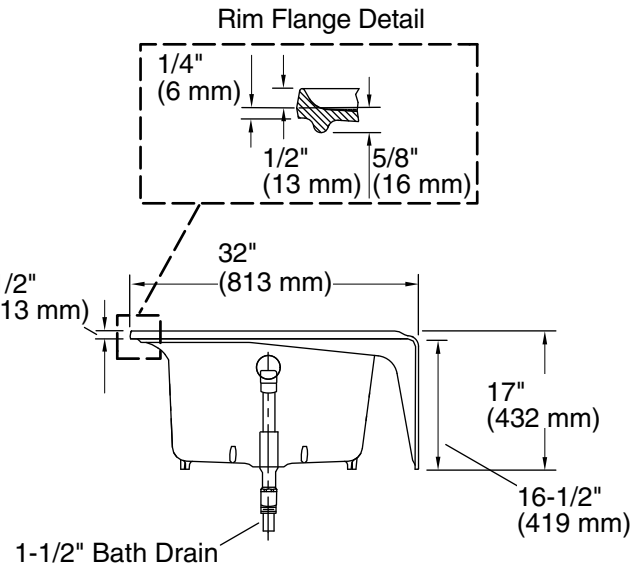
For the most current Specification Sheet, go to www.kohler.com USA or www.kohler.ca Canada

6-8-2024 19:57 - US

THE BOLD LOOK
OF **KOHLER®**



No change in measurement if connected with drain illustrated. (K-7259)



Technical Information

All product dimensions are nominal.

Drain location:	Left
Basin area, bottom:	50-3/4" x 20-5/16" (1289 mm x 516 mm)
Basin area, top:	58-7/16" x 22-5/8" (1484 mm x 575 mm)
Weight:	380 lbs (172.4 kg)
Minimum floor load:	57 lbs/ft ² (278.3 kg/m ²)
Water depth:	11-11/16" (297 mm)
Water capacity:	49 gal (185.5 L)
Minimum flat for door:	2-9/16" (65 mm)

Notes

Measure your actual product for rough-in details.

Install this product according to the installation instructions.

The hot water supply should be 70% of the capacity of the bath or greater. Installations will vary.

ADA compliant when installed to the specific requirements of these regulations.